

QUINTUS SET

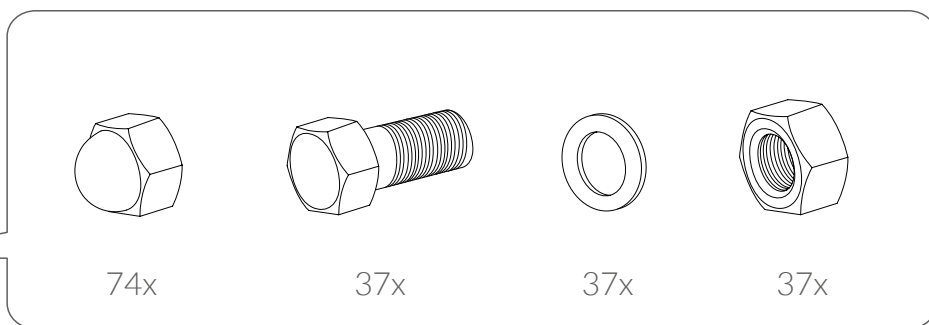
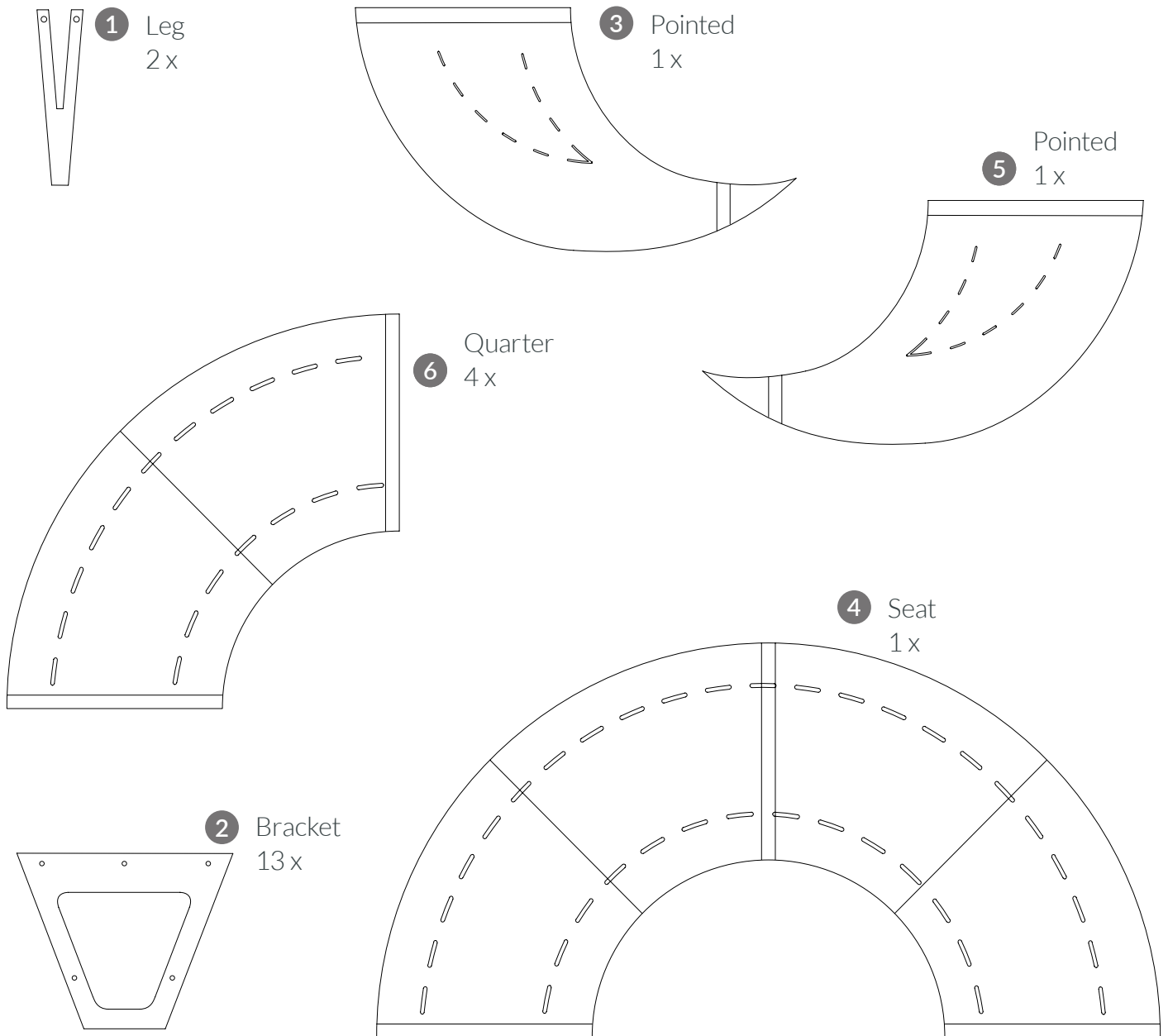
ASSEMBLY INSTRUCTIONS

COMPATIBILITY

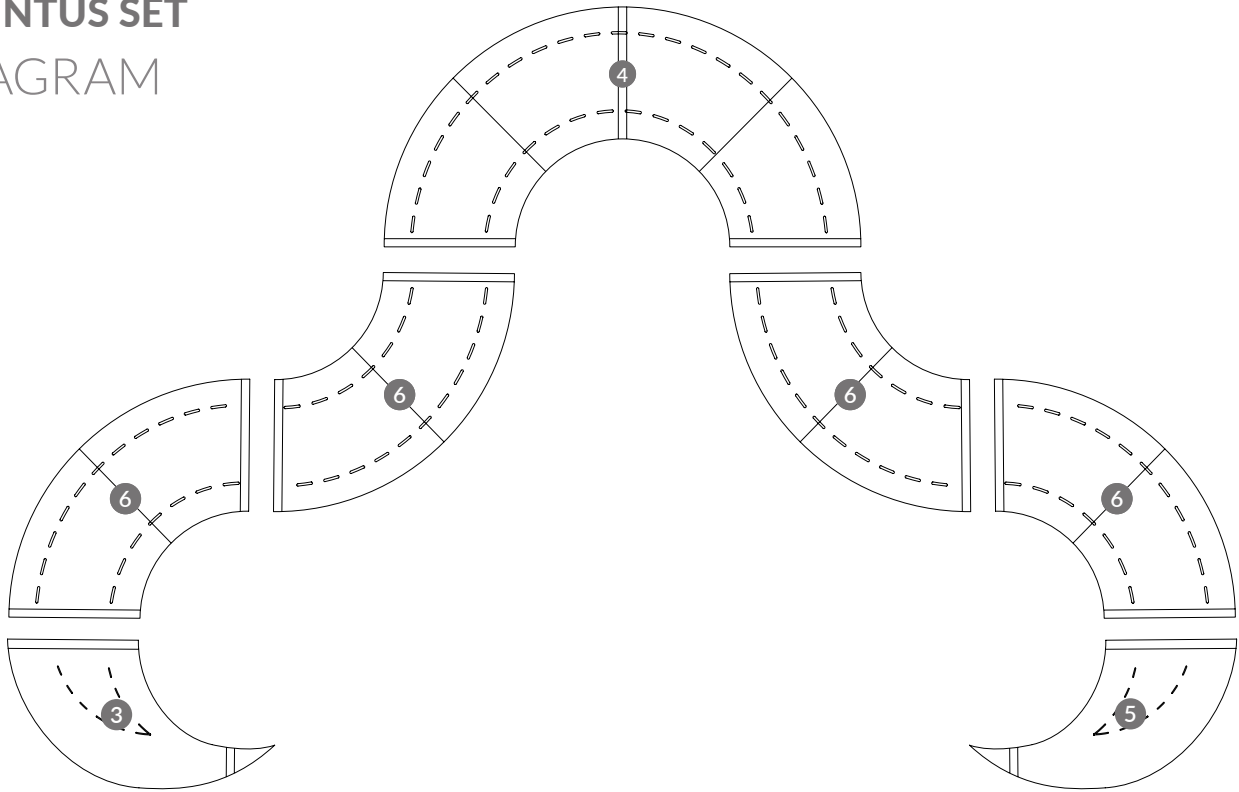
Gianto Classic 80 / 95 / 120

 TerraCity

QUINTUS SET ELEMENTS

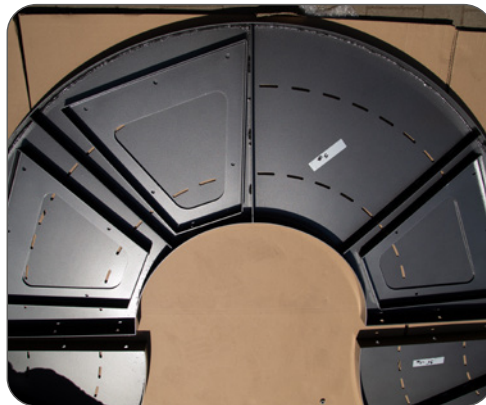


QUINTUS SET DIAGRAM



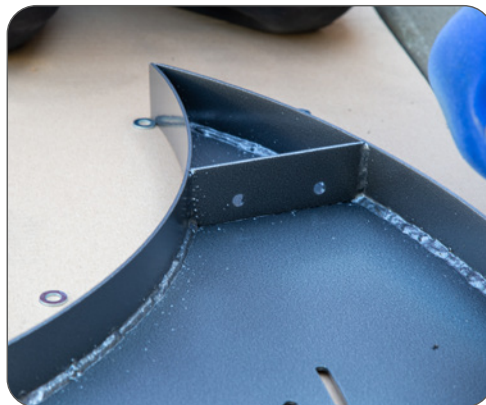
STEP 1

Place all elements on a flat, protected surface according to the diagram.



STEP 2

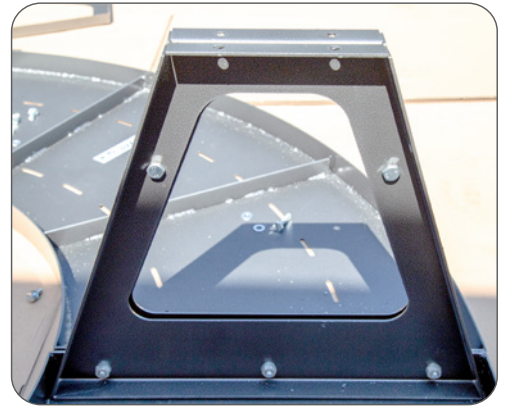
Screw the leg (element 1) to the element 3 with two bolts, put on the nuts and tighten. Do not use too much force to avoid damaging the fastening bolts.



QUINTUS SET

STEP 3

In the place where elements 3 and 6 are connected, place two brackets (element 2), one on the edge of each seat and connect them with bolts (three fixing holes at the seat, two holes halfway up the supports), put the washer and nut on the thread and then tighten.



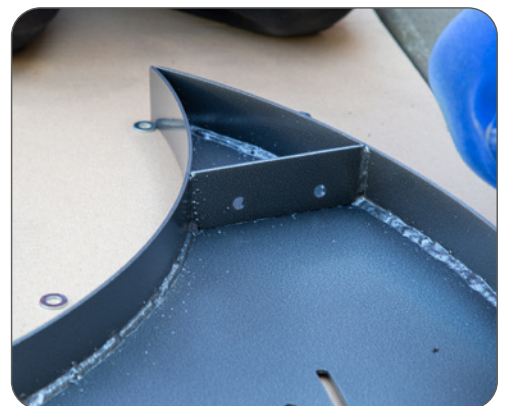
STEP 4

Connect all the individual elements together (in the order 3-6-6-4-6-6-5) in the same way as in step 3.



STEP 5

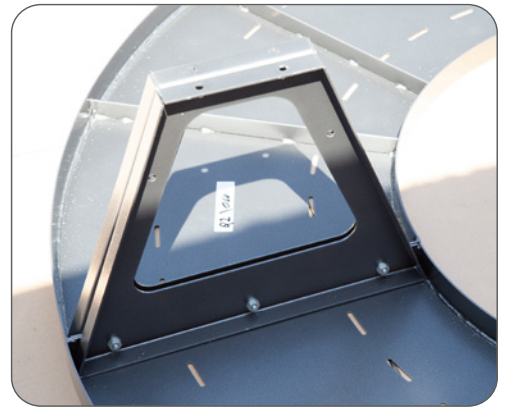
Screw the leg (element 1) to the element 5 with two bolts, put on the nuts and tighten.



QUINTUS SET

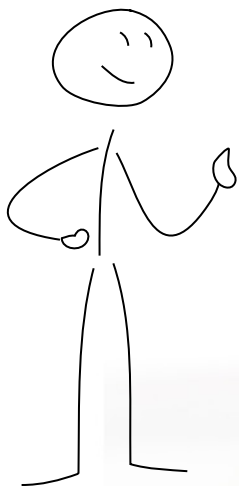
STEP 6

Check if all screws are properly tightened, fit the plugs where they are needed.



STEP 7

Put the Wave bench on its feet. That's it! Now you can sit back.



Terra[®]
Group



TerraCity - a brand of Terra Group

www.terracity.eu

Terra Group
create more
beautiful tomorrow!

ul. Gen. Józefa Sowińskiego 42a
65-419 Zielona Góra

T: +48 68 455 62 69
F.: +48 68 414 54 25

E: info@terra-uk.eu
www.terra-uk.eu