

## Terra Christmas Ball

### ASSEMBLY INSTRUCTIONS

#### COMPATIBILITY

Atech Jiflor 600  
Terra W600

**Terra**  
*Christmas*

# Terra Christmas Ball

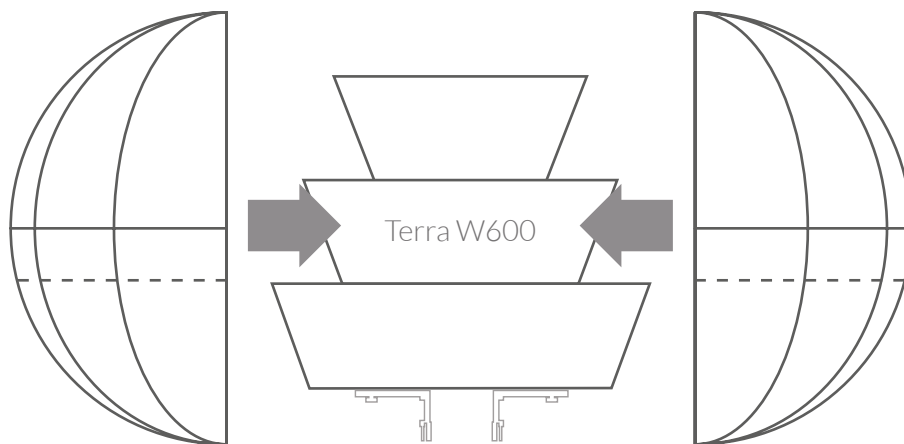
SPRUCE BALL FOR CITY LAMPS

COMPATIBILITY

Ø 70 → Terra W600/1  
Ø 100

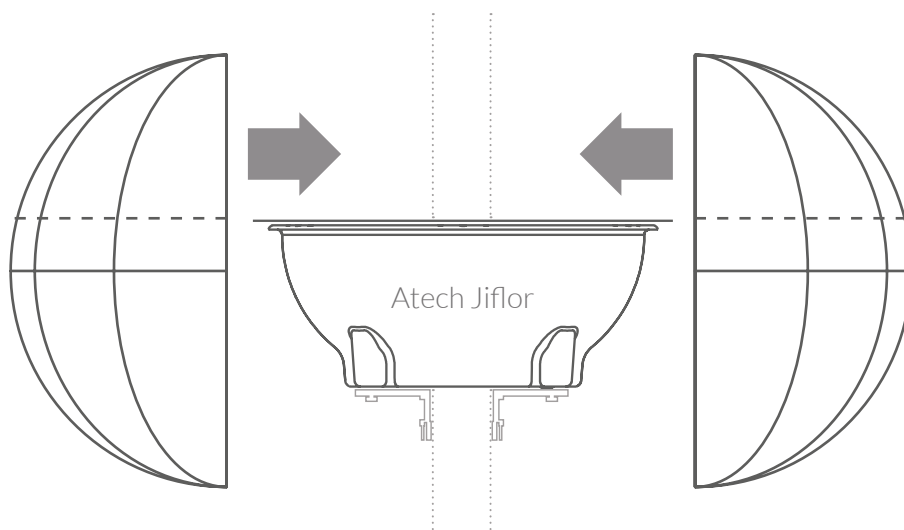
Ø 70 → Terra W600/2  
Ø 100

Ø 70 → Terra W600/3  
Ø 100



Ø 70 → Atech Jiflor 600  
Ø 100

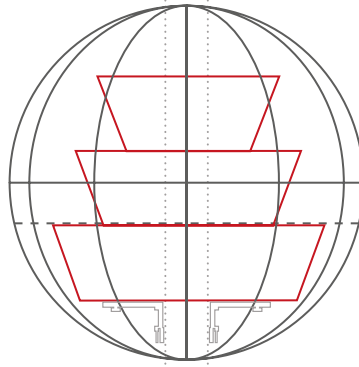
Ø 100 → Atech Jiflor 800



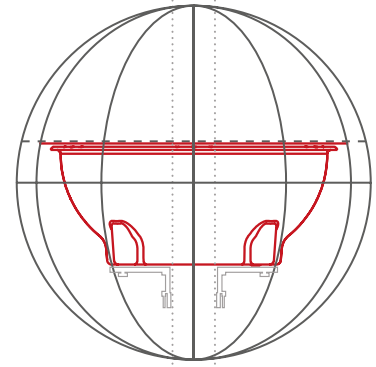
# ASSEMBLY OPTIONS

## A

On the container Terra W600/Atech Jiflor



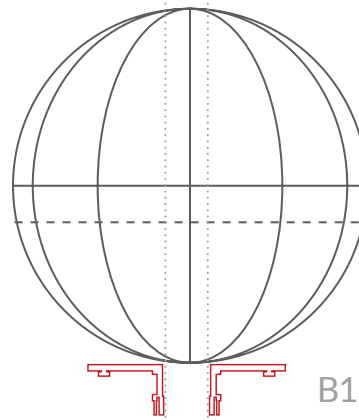
A1



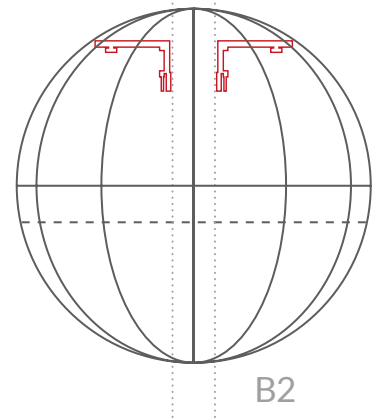
A2

## B

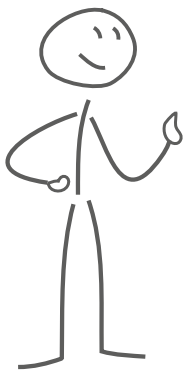
On the fixing of Terra W600/Atech Jiflor container for a lamp



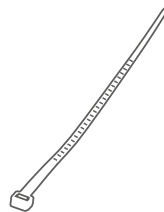
B1



B2



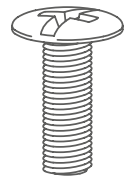
1x



4x

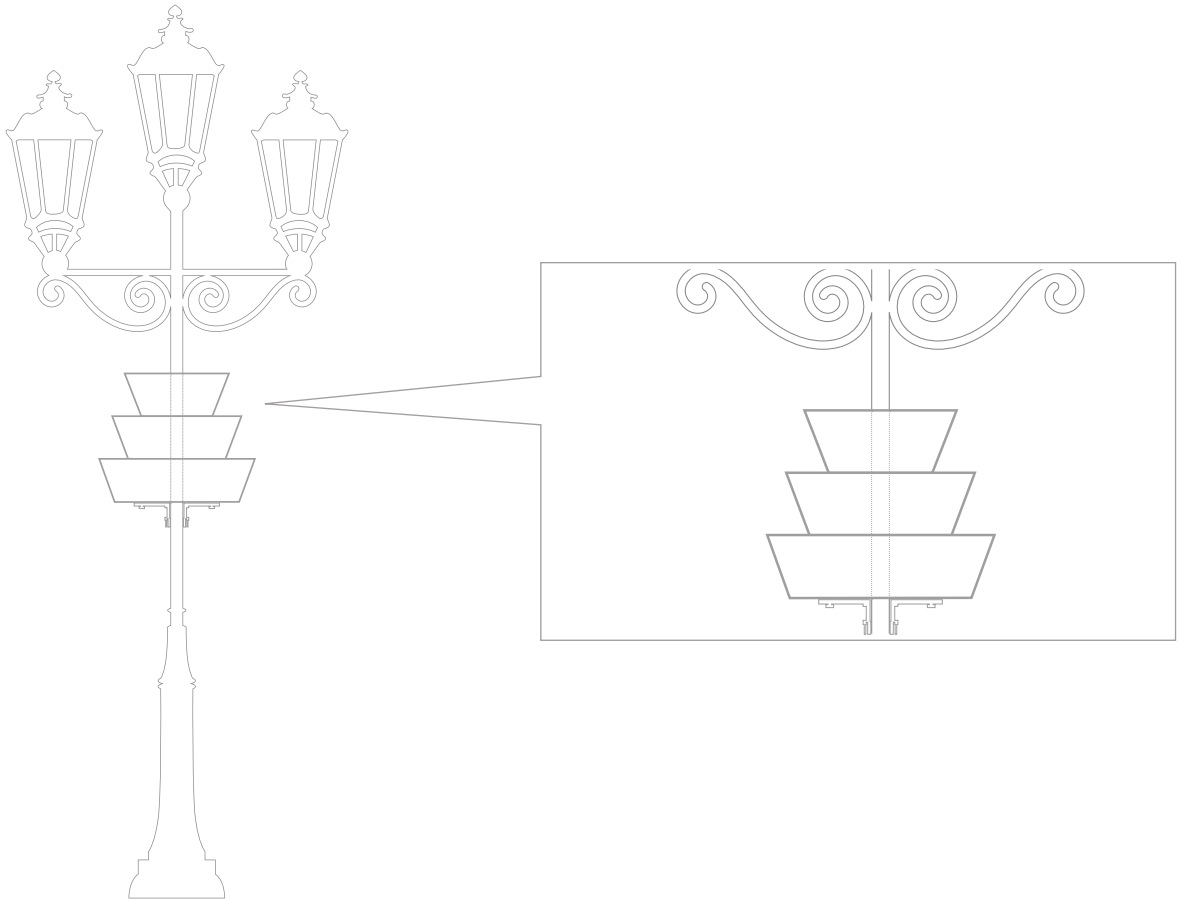


2x

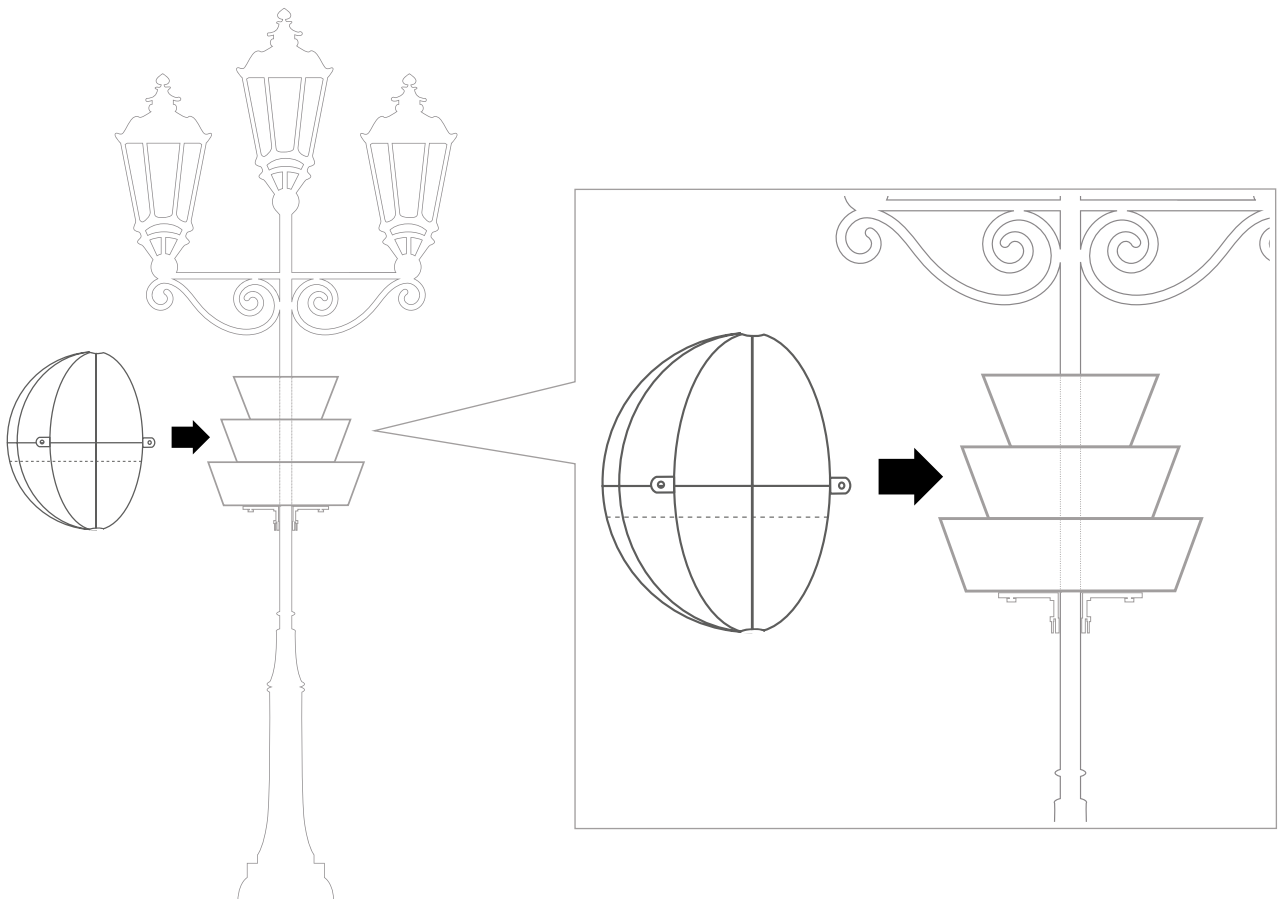


2x

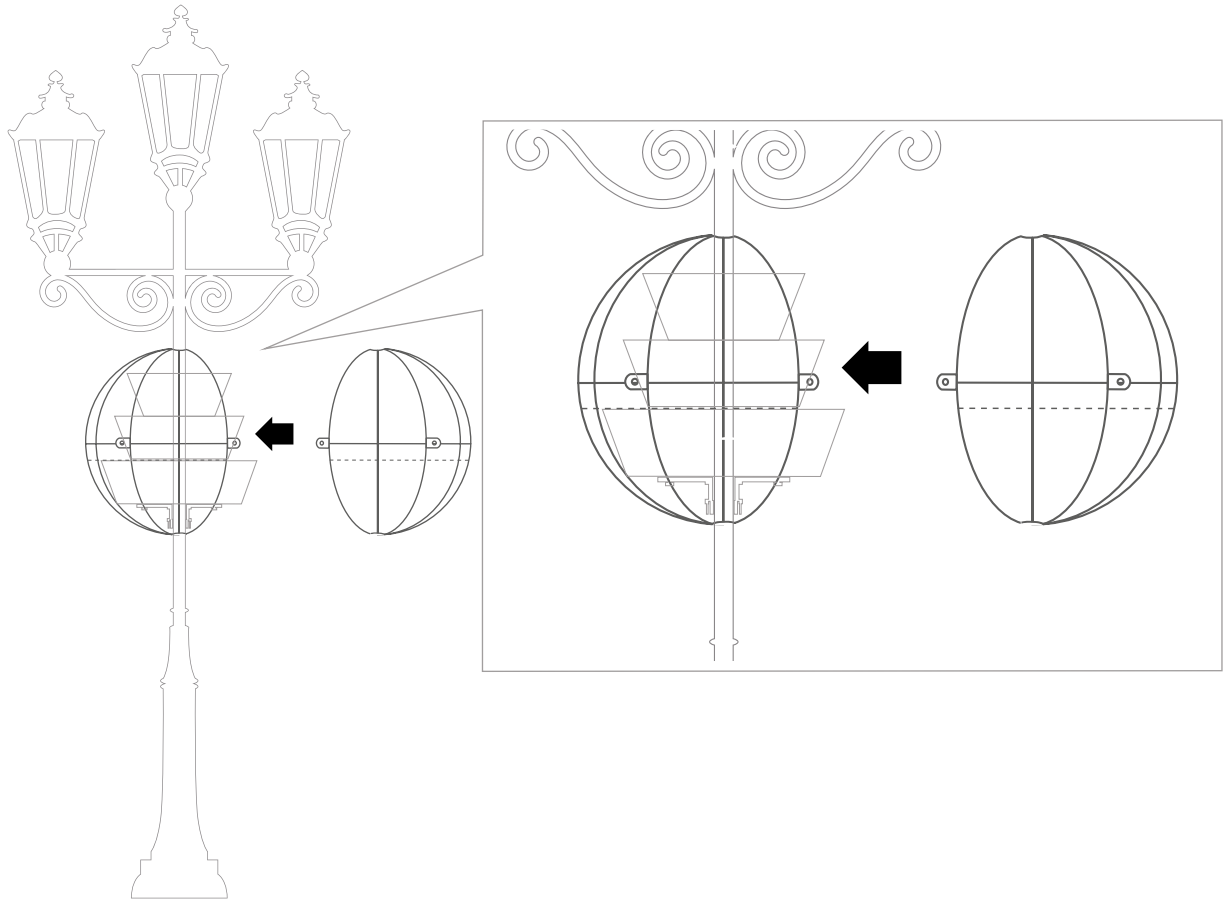
1



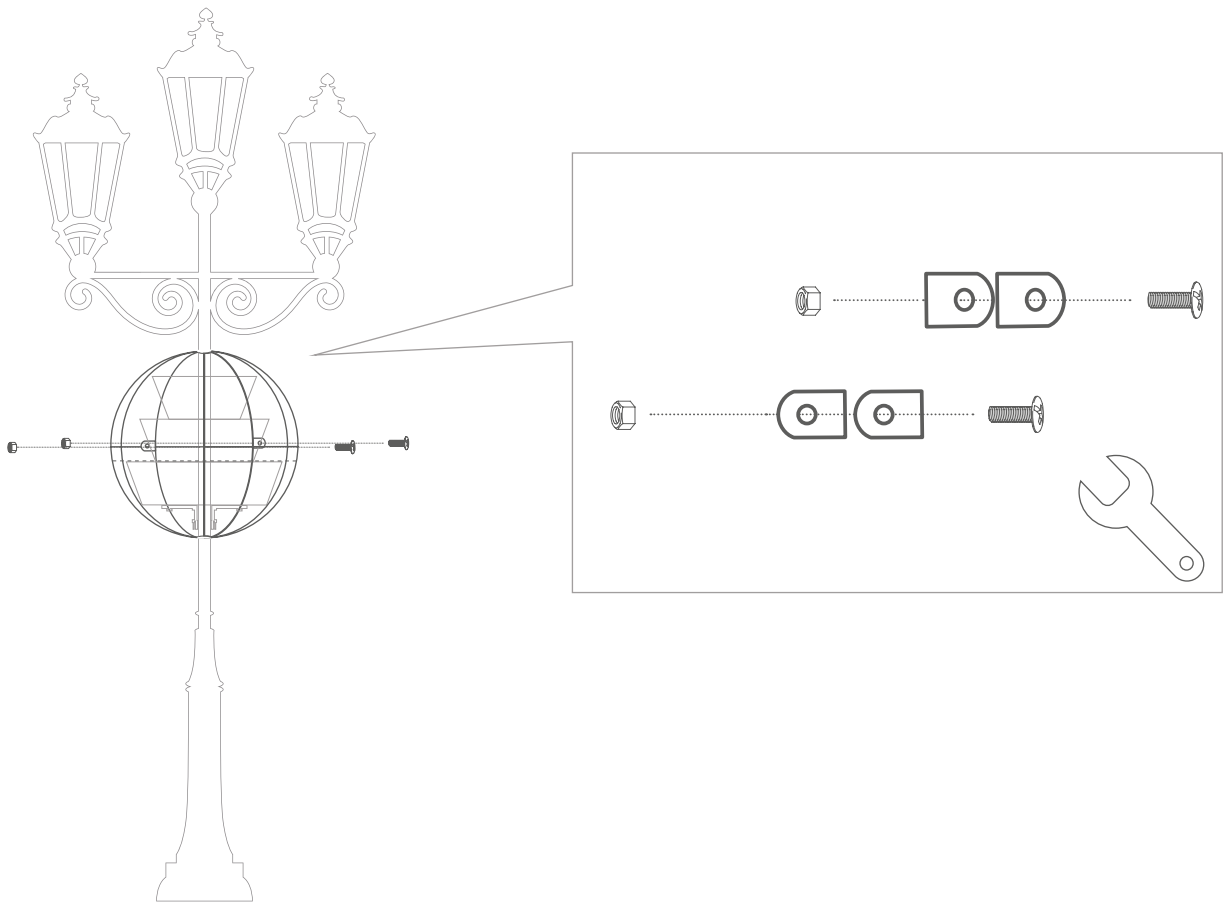
2



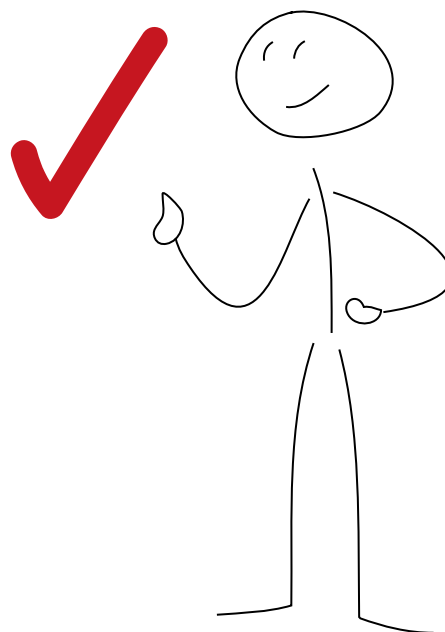
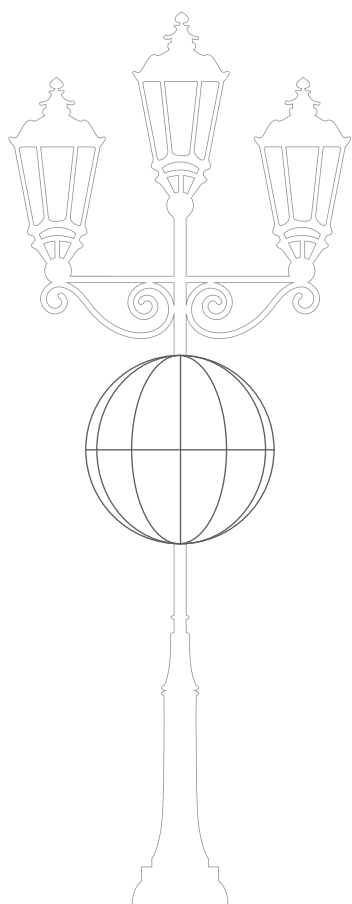
3



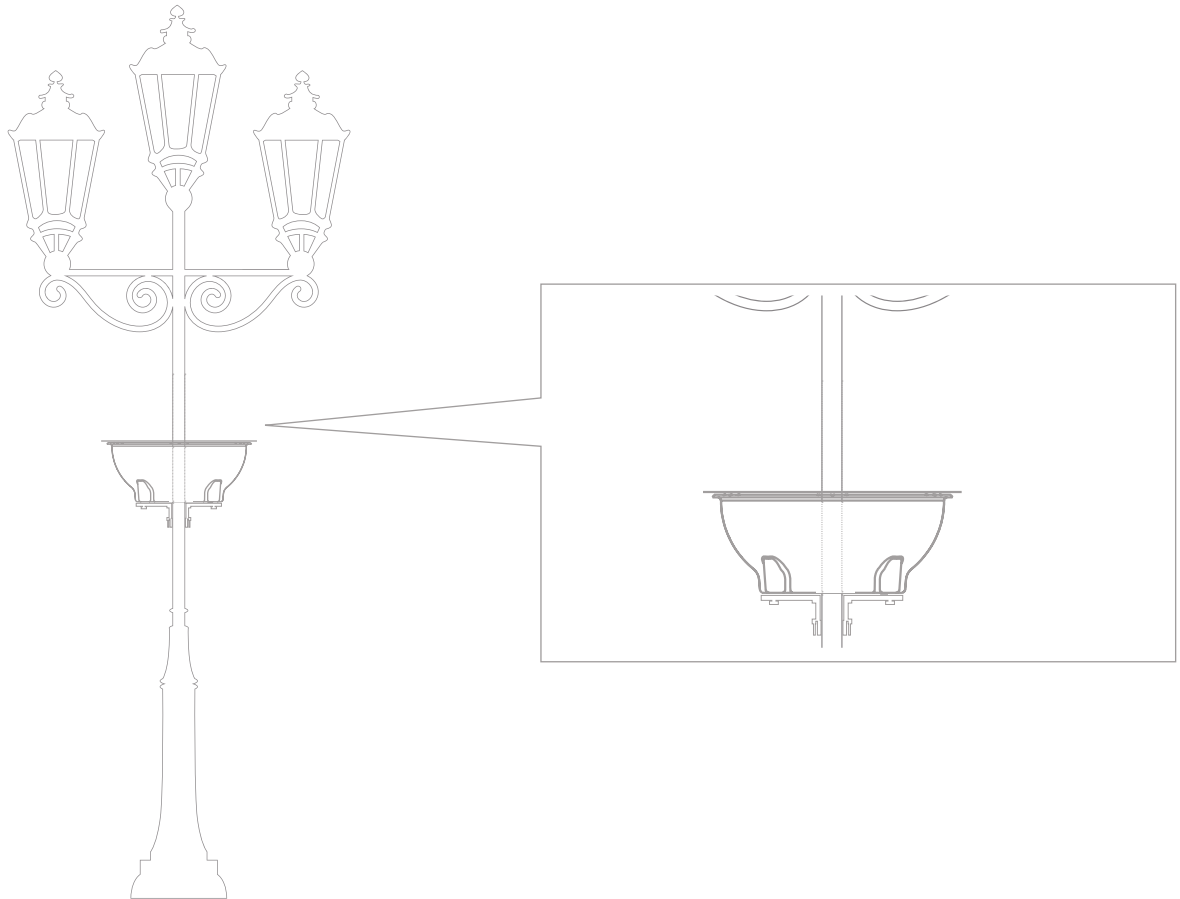
4



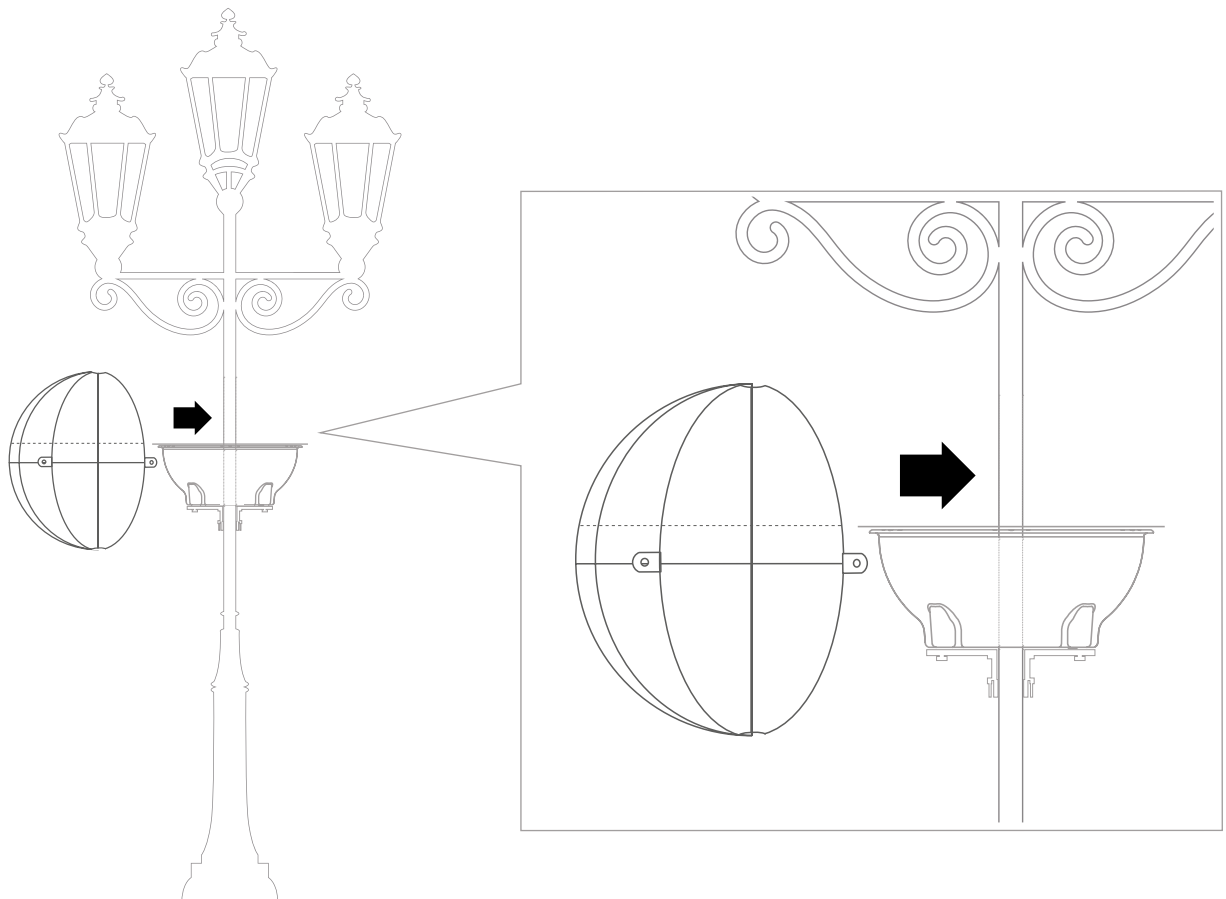
5



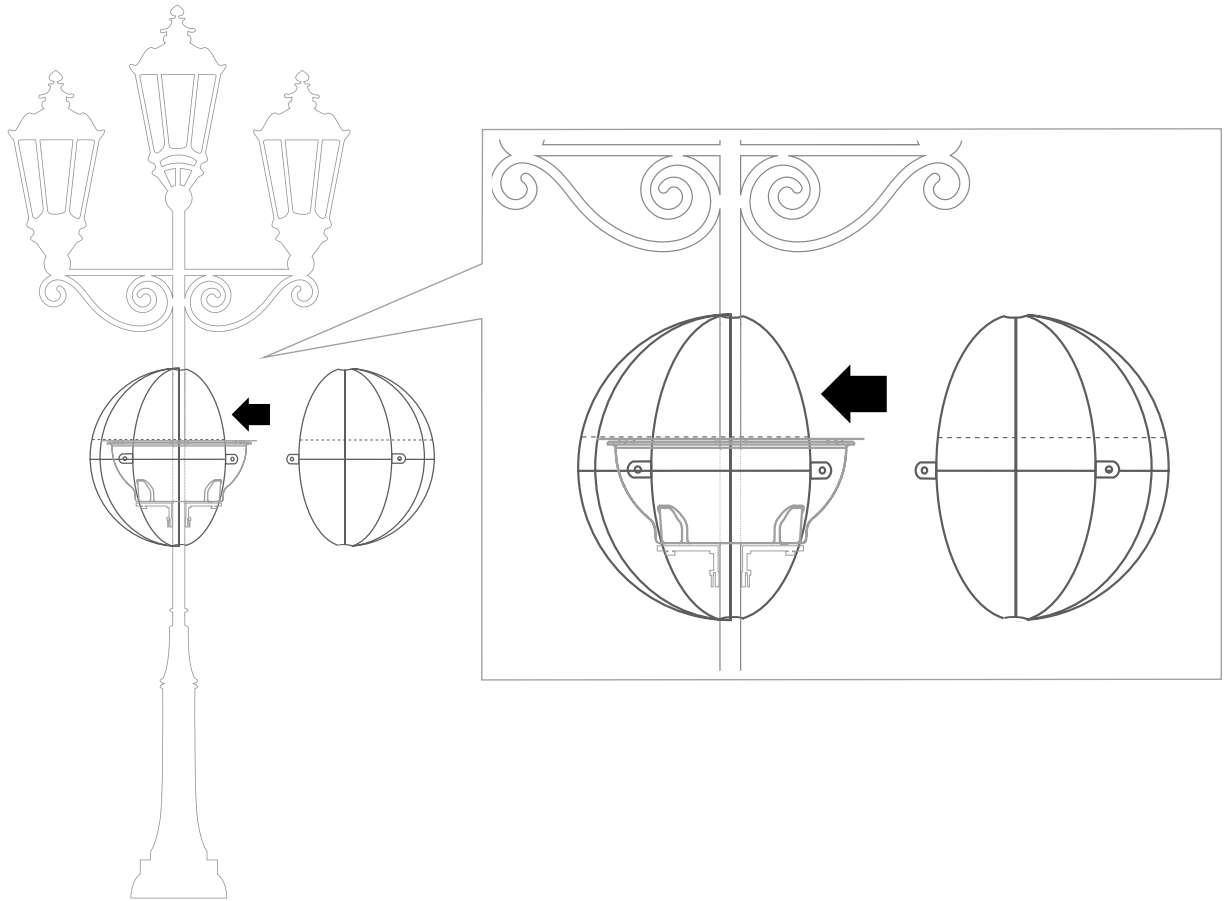
1



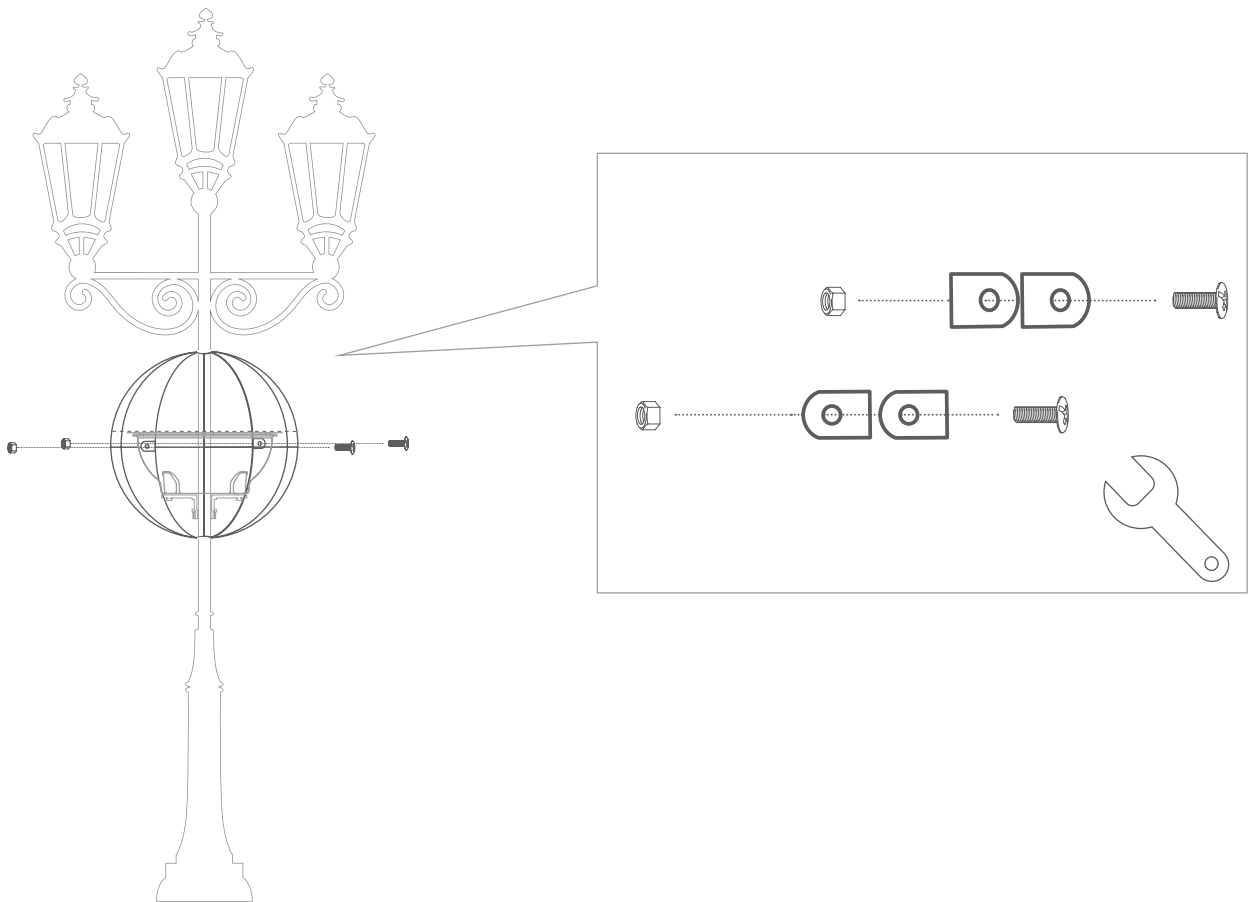
2



3

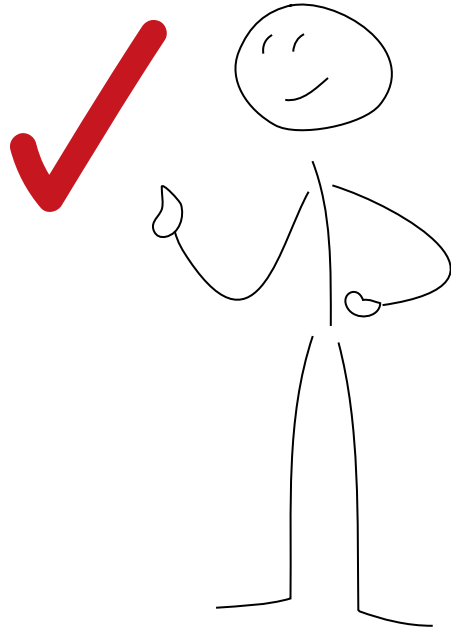
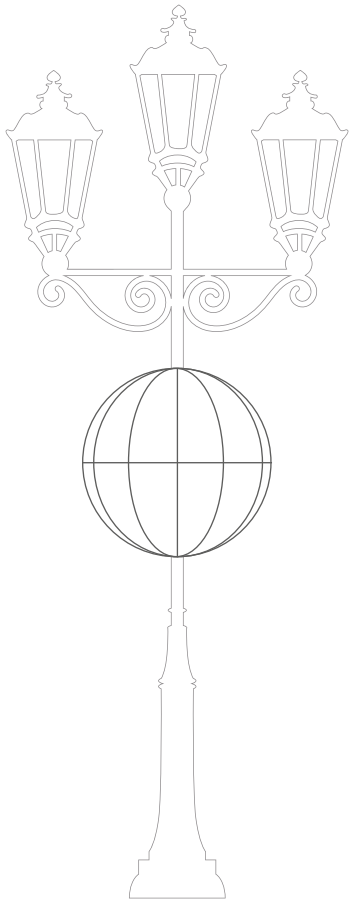


4

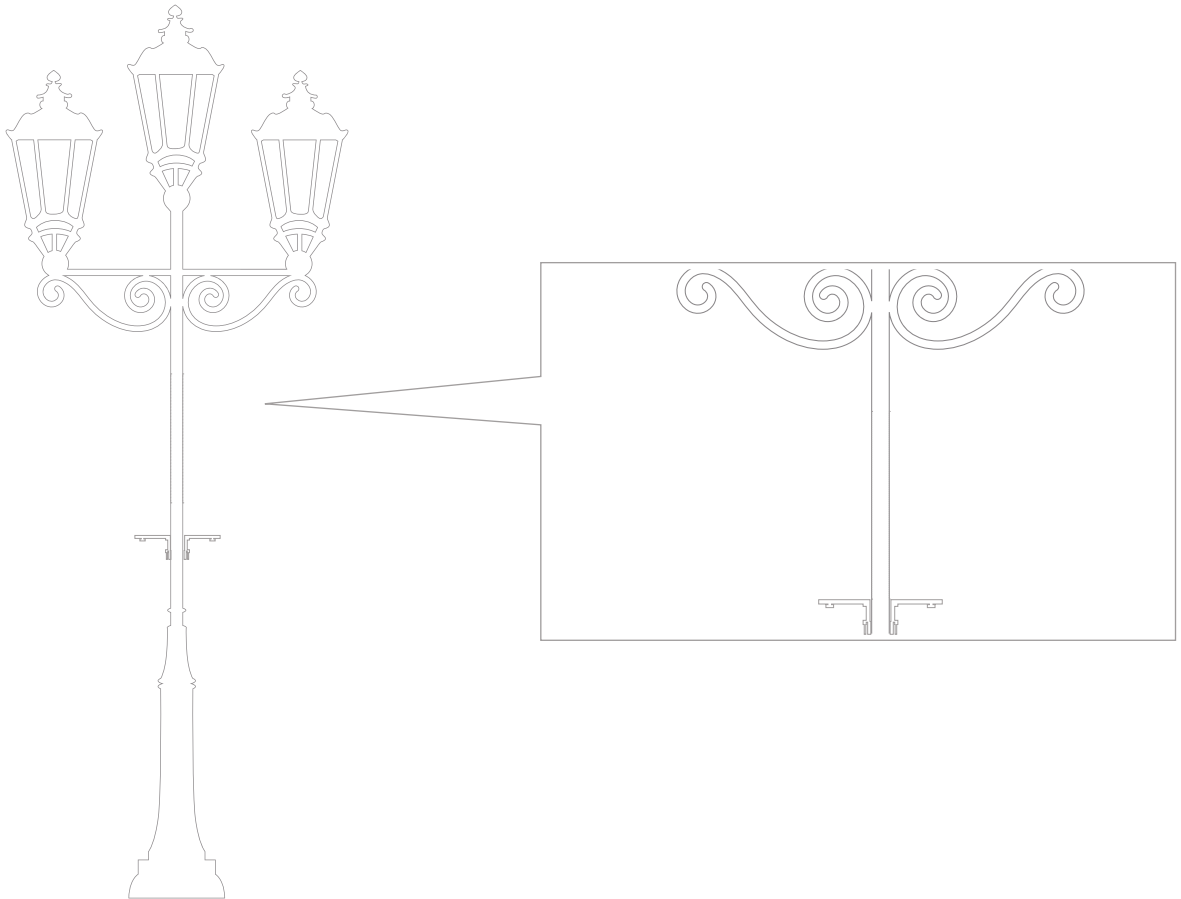




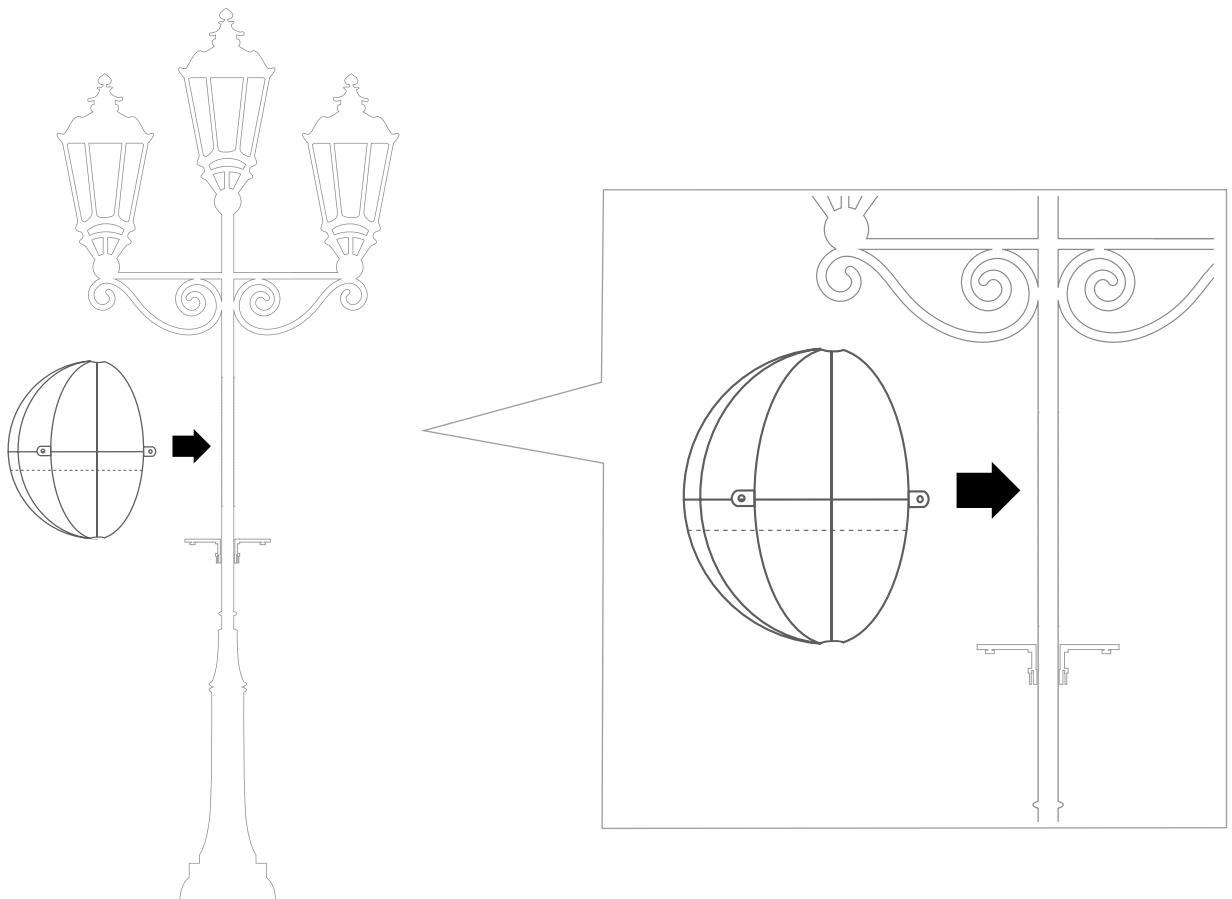
5



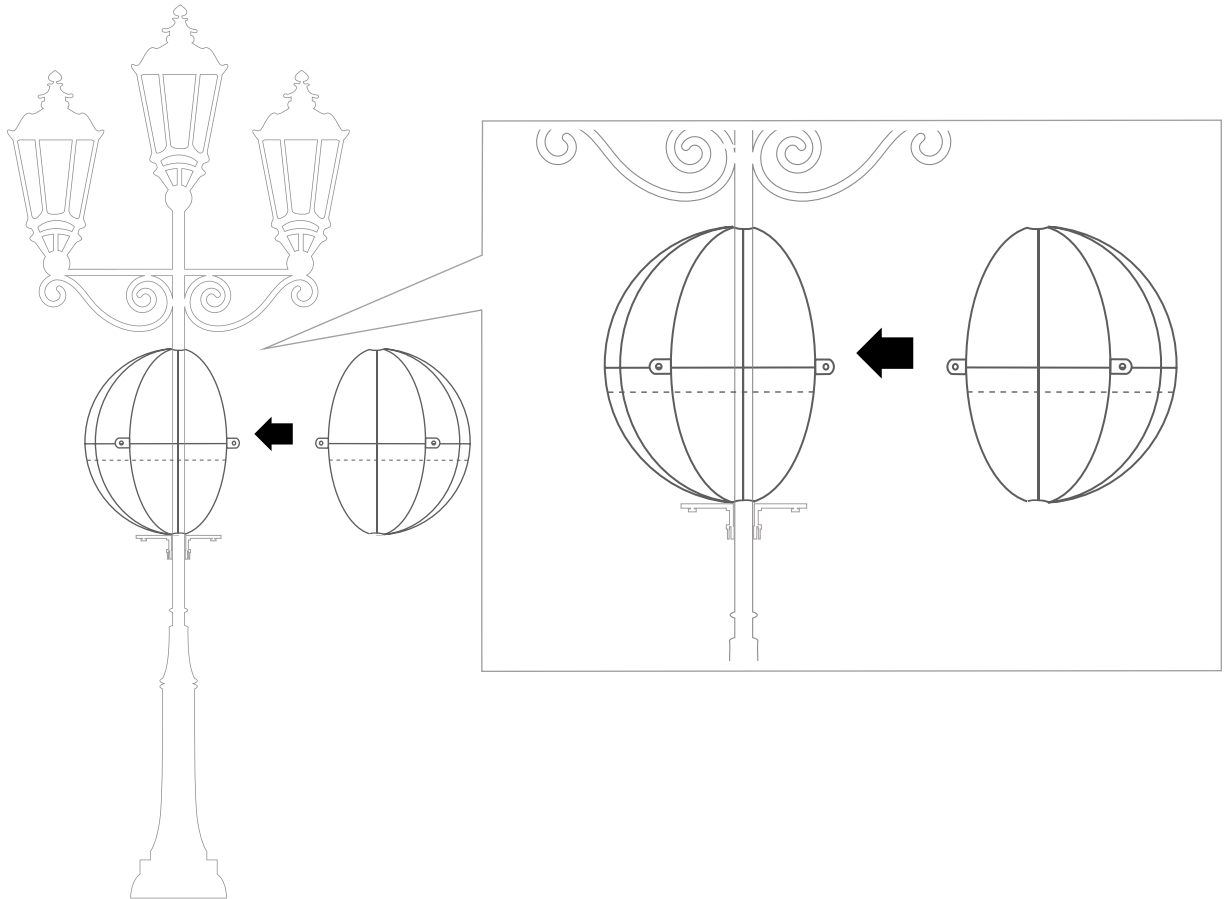
1



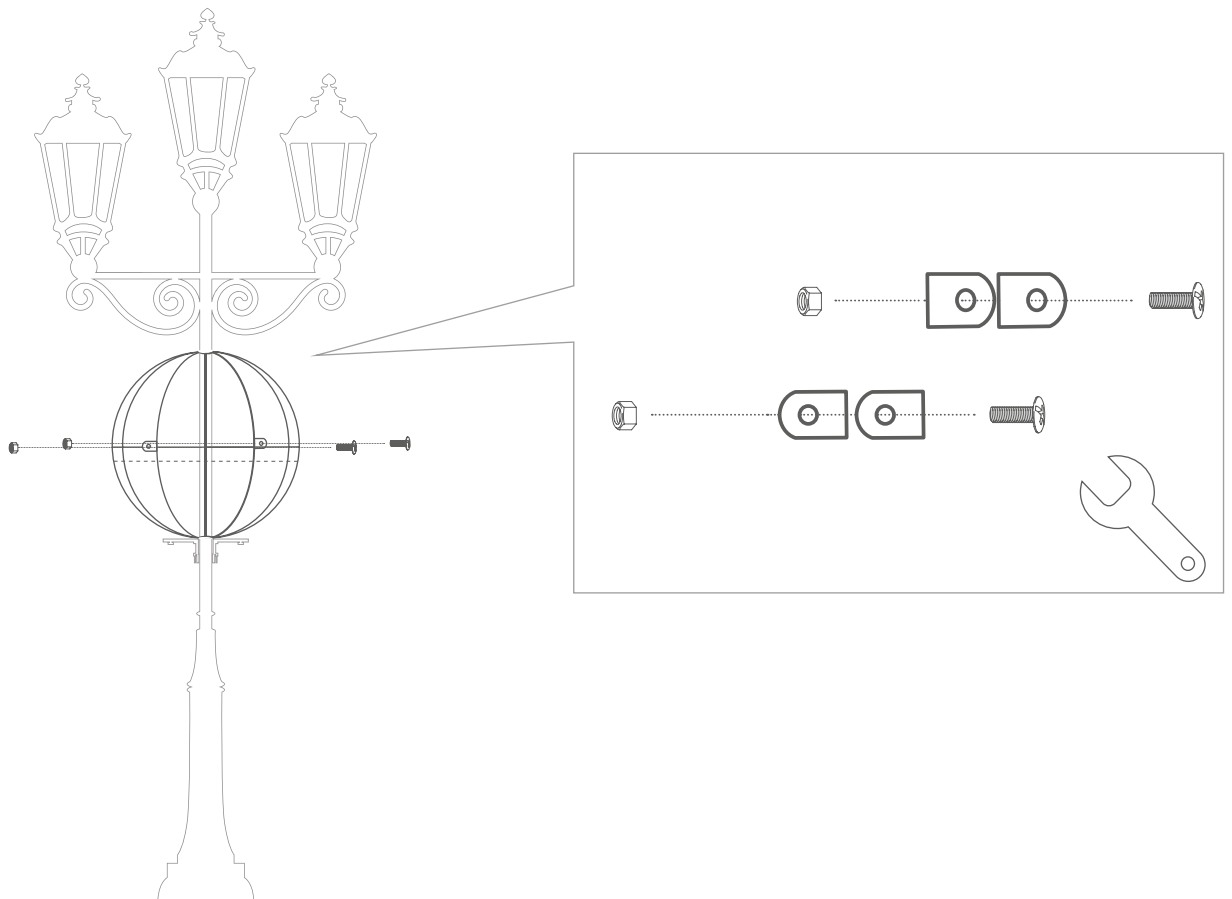
2



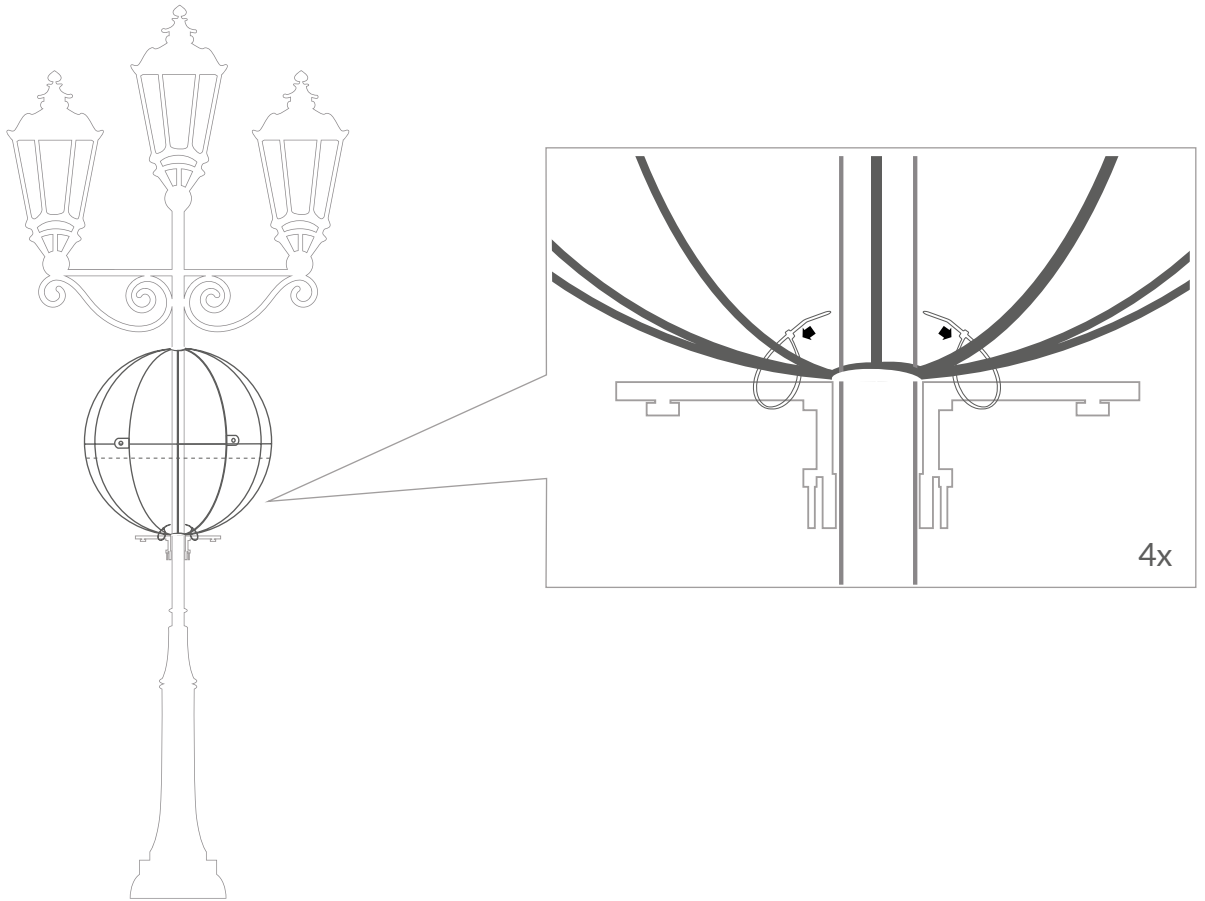
3



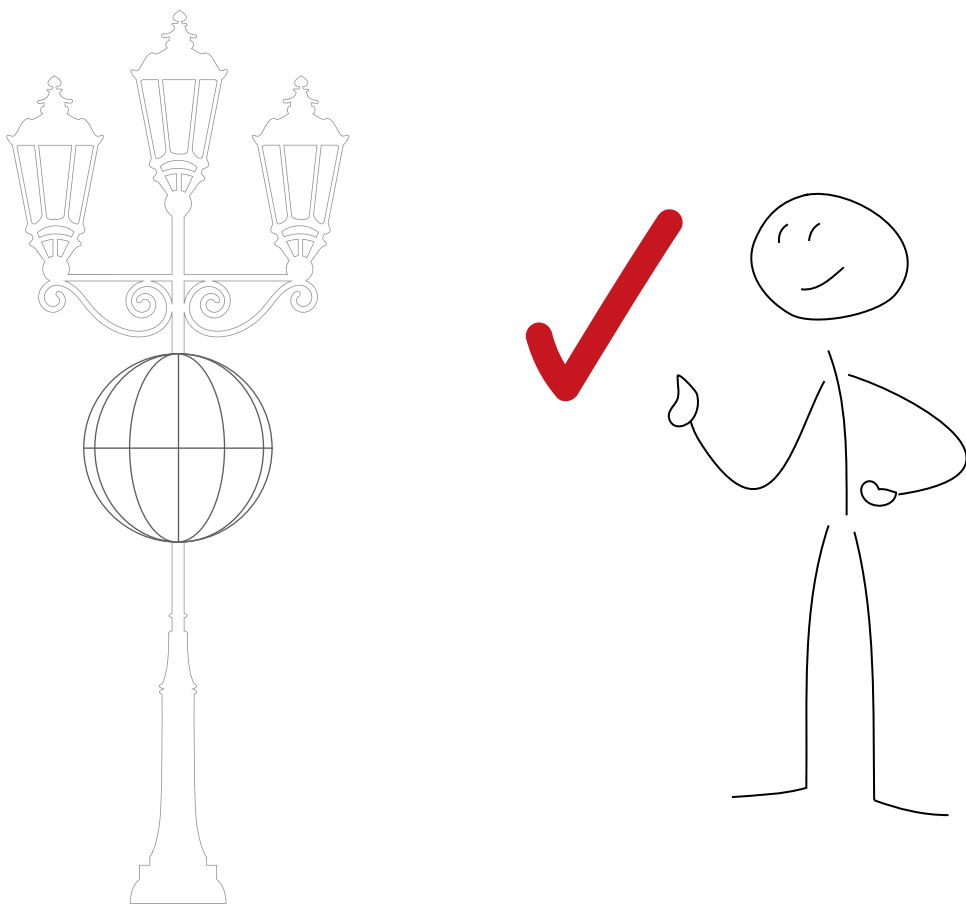
4



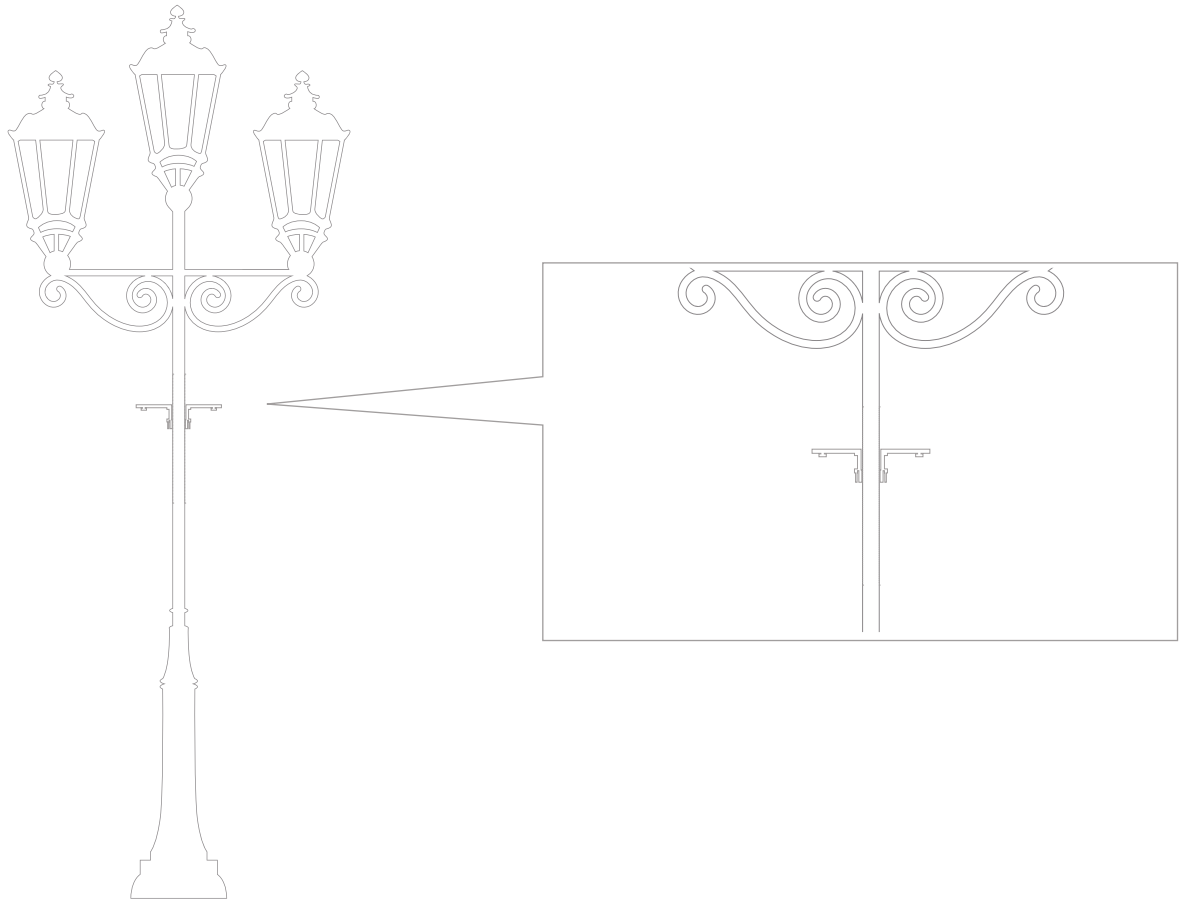
5



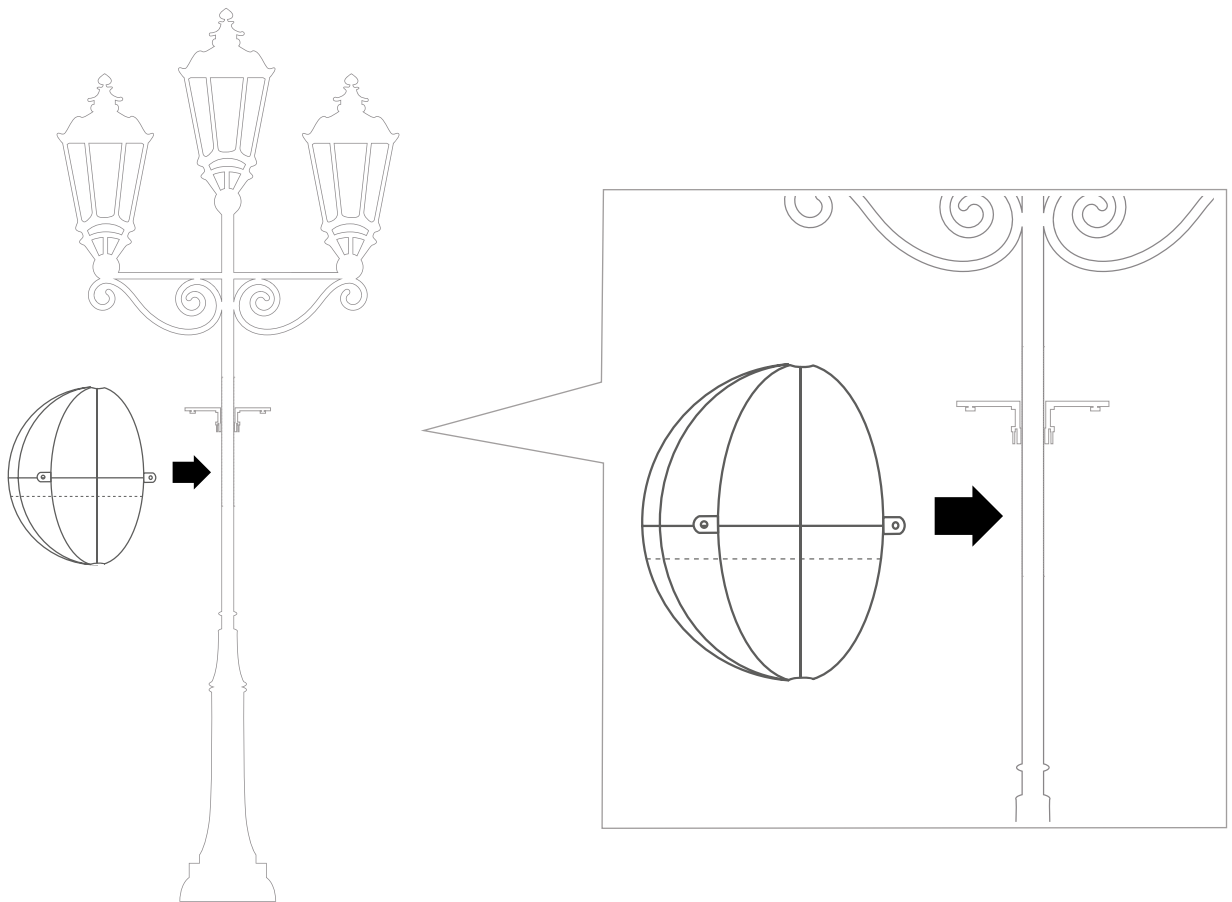
5



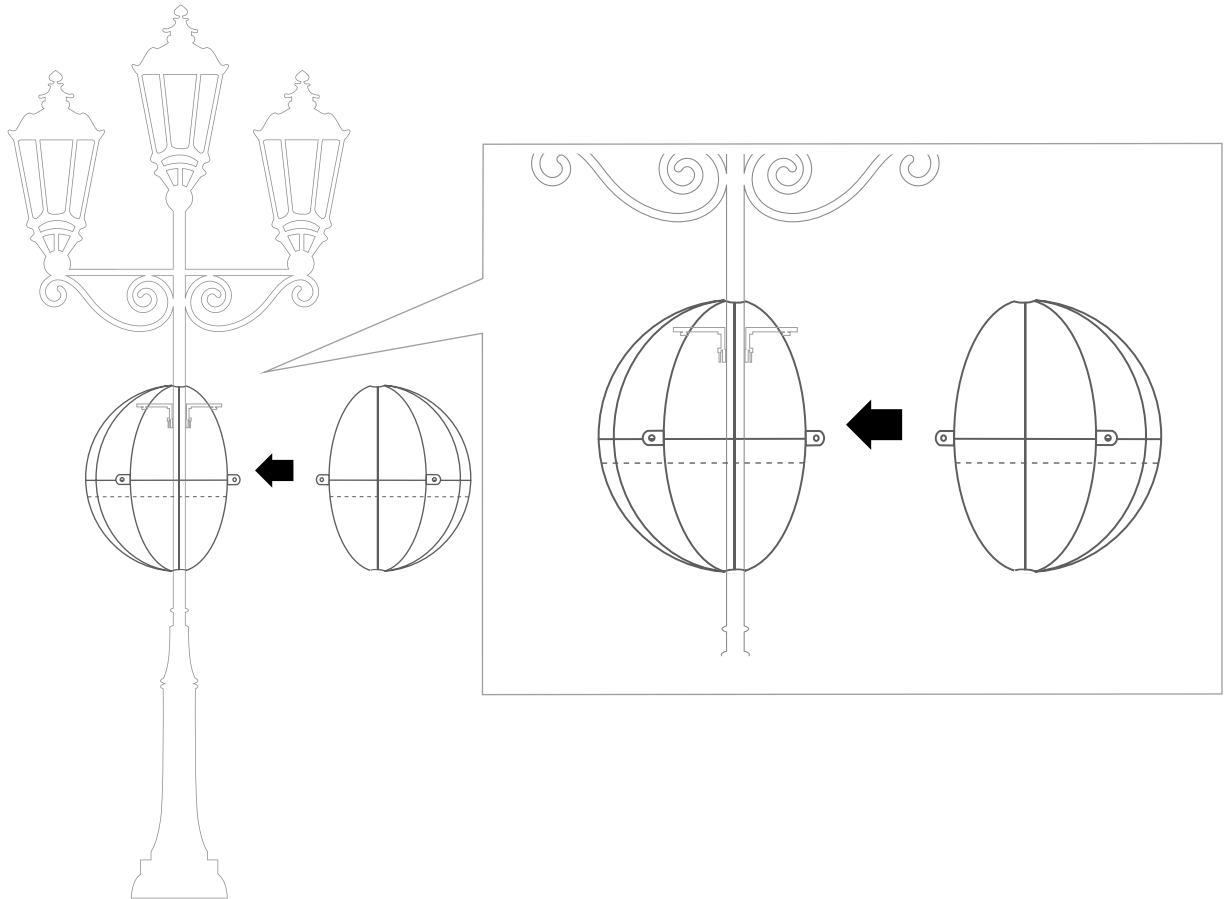
1



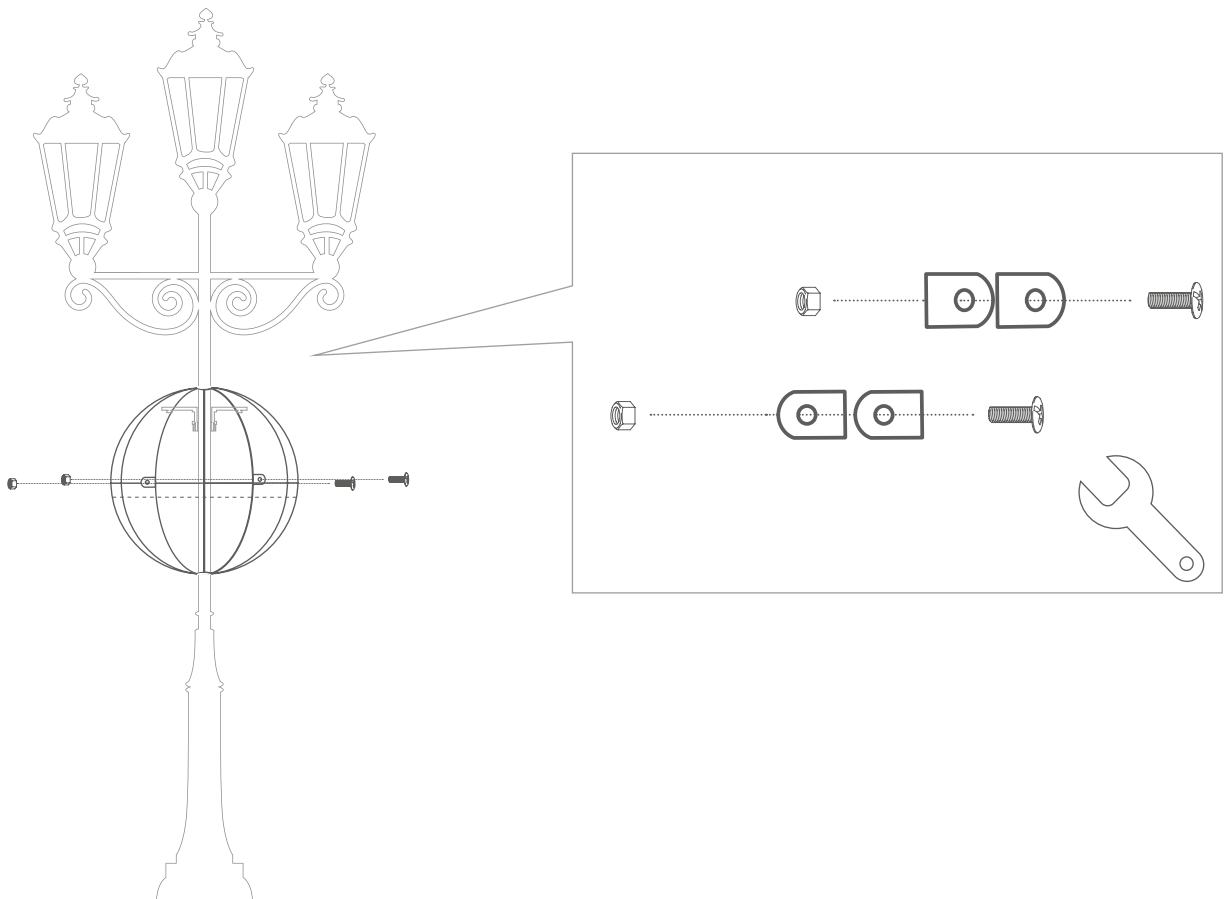
2



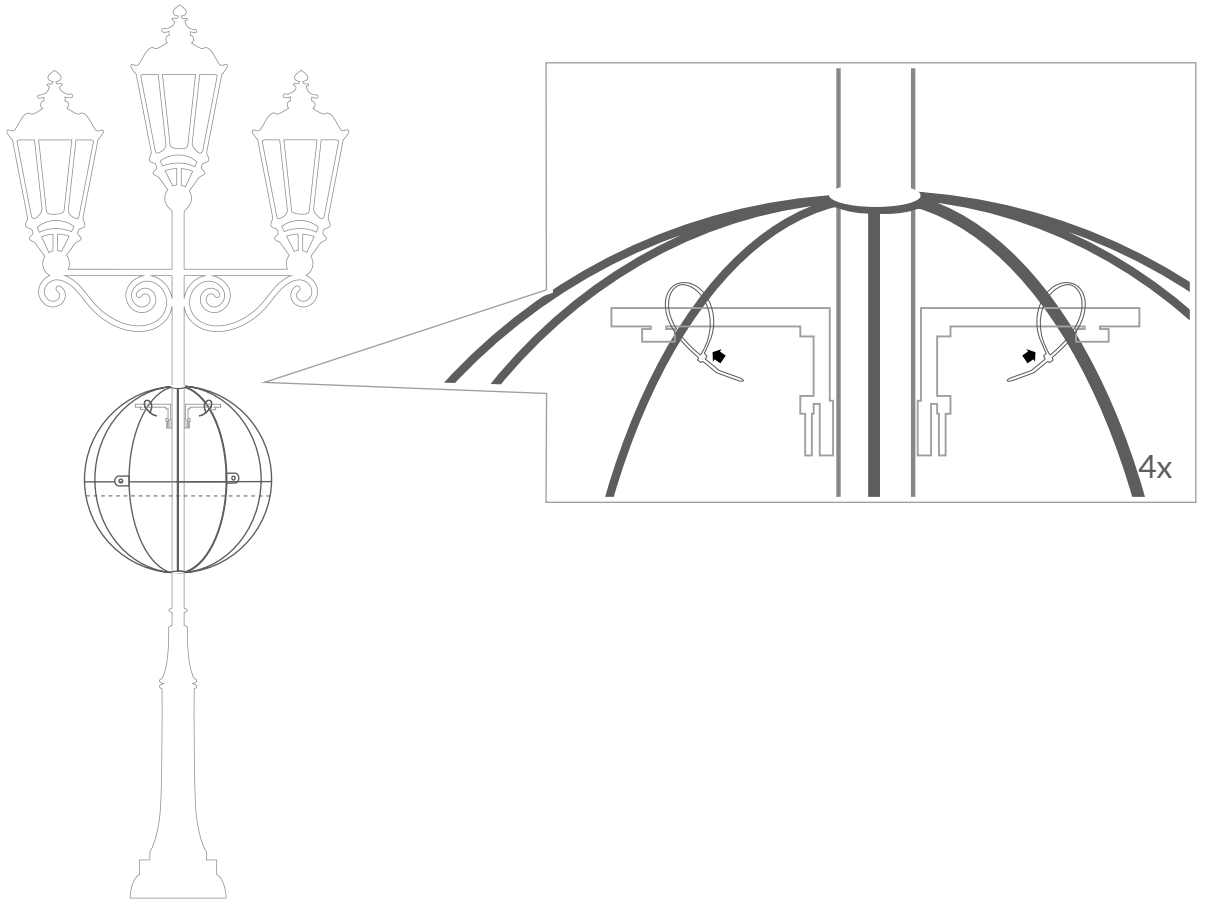
3



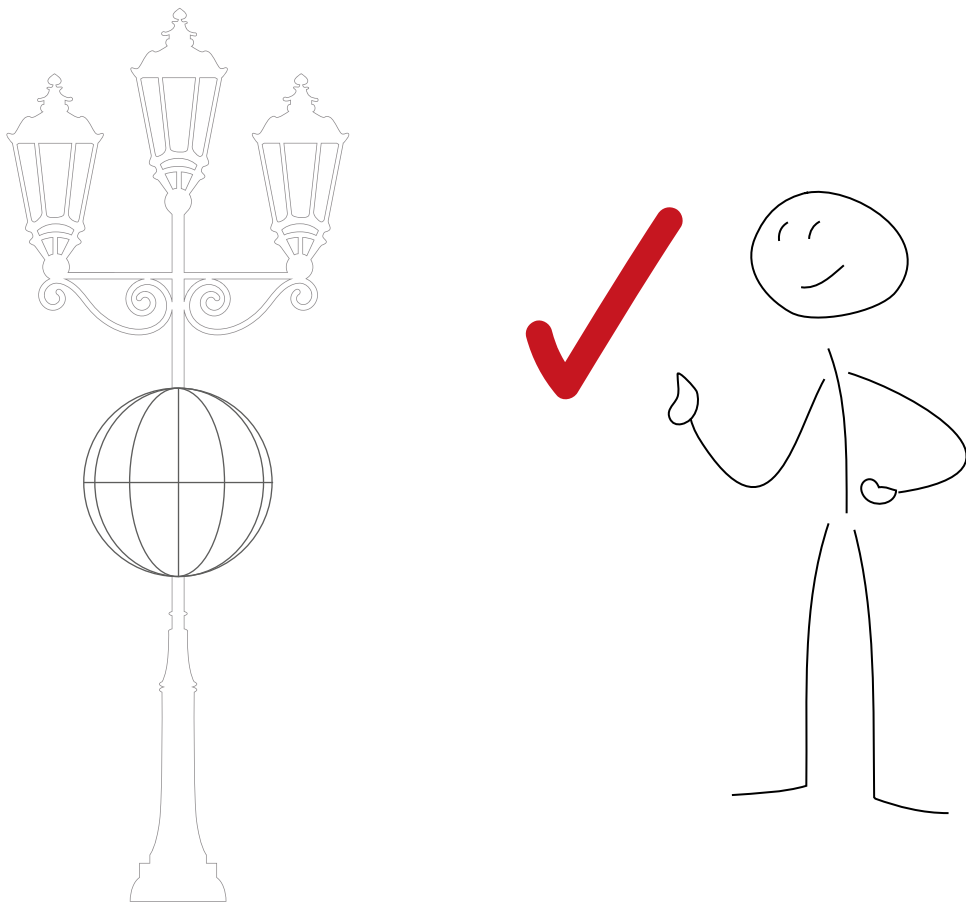
4



5



6



[www.terrachristmas.com](http://www.terrachristmas.com)



CONTACT YOUR SALES ADVISOR

Olga Fiedorowicz

+48 513 041 847

[olga.fiedorowicz@terra-uk.eu](mailto:olga.fiedorowicz@terra-uk.eu)

**Terra**<sup>®</sup>  
*Christmas*



Terra Christmas is the Terra Group Brand

Terra Group

Alpha Business Center  
ul. Wrocławska 17B  
65-427 Zielona Góra

T: +48 68 455 62 69  
F: +48 68 414 54 25  
E: [info@terra-uk.eu](mailto:info@terra-uk.eu)

[www.terra-uk.eu](http://www.terra-uk.eu)

[www.terrachristmas.com](http://www.terrachristmas.com)