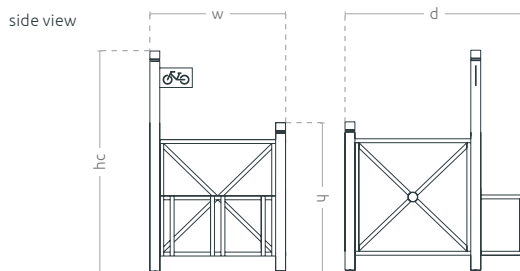
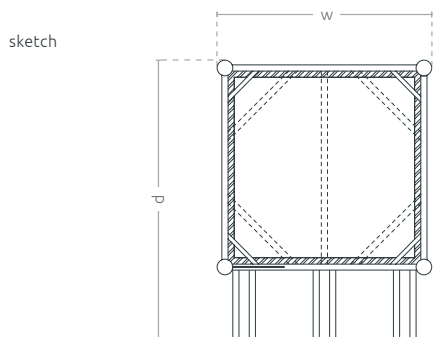




## Bicycle Rank Urbana XL

# TECHNICAL SHEET

The steel bicycle rank compatible with the XL pot. It was created in response to the growing trend of riding a bike. An additional function of the construction is an information stand with a map. Steel spans guarantee safe storage of the vehicles and resistance to mechanical damage.





## Bicycle Rank Urbana XL

### FEATURES



compatible with the whole collection



powder coating RAL



frame-hot-dip galvanized steel



walls-hot-dip galvanized steel



reinforced bottom



heavy and stable

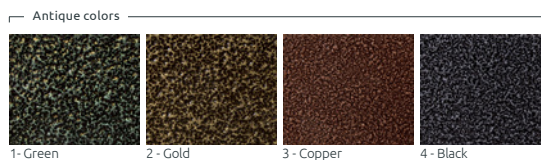


styrofoam insulation



adjustable height

### COLORS



Ask your sales advisor about the details

### OPTIONAL



stabilizing holders to a tree

### MODELS

Model	Code	Dimensions [mm]	Compatibility
Bicycle Rank Urbana XL	TC 001 501	w 1040 × hc 1695 × h 1145 × d 1340	684 l



#### Personalized Model

Any pot size - according to your needs.  
Ask your sales advisor about the details.