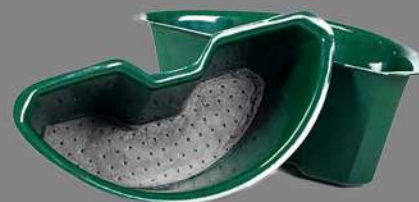




Hanging Pots and Baskets

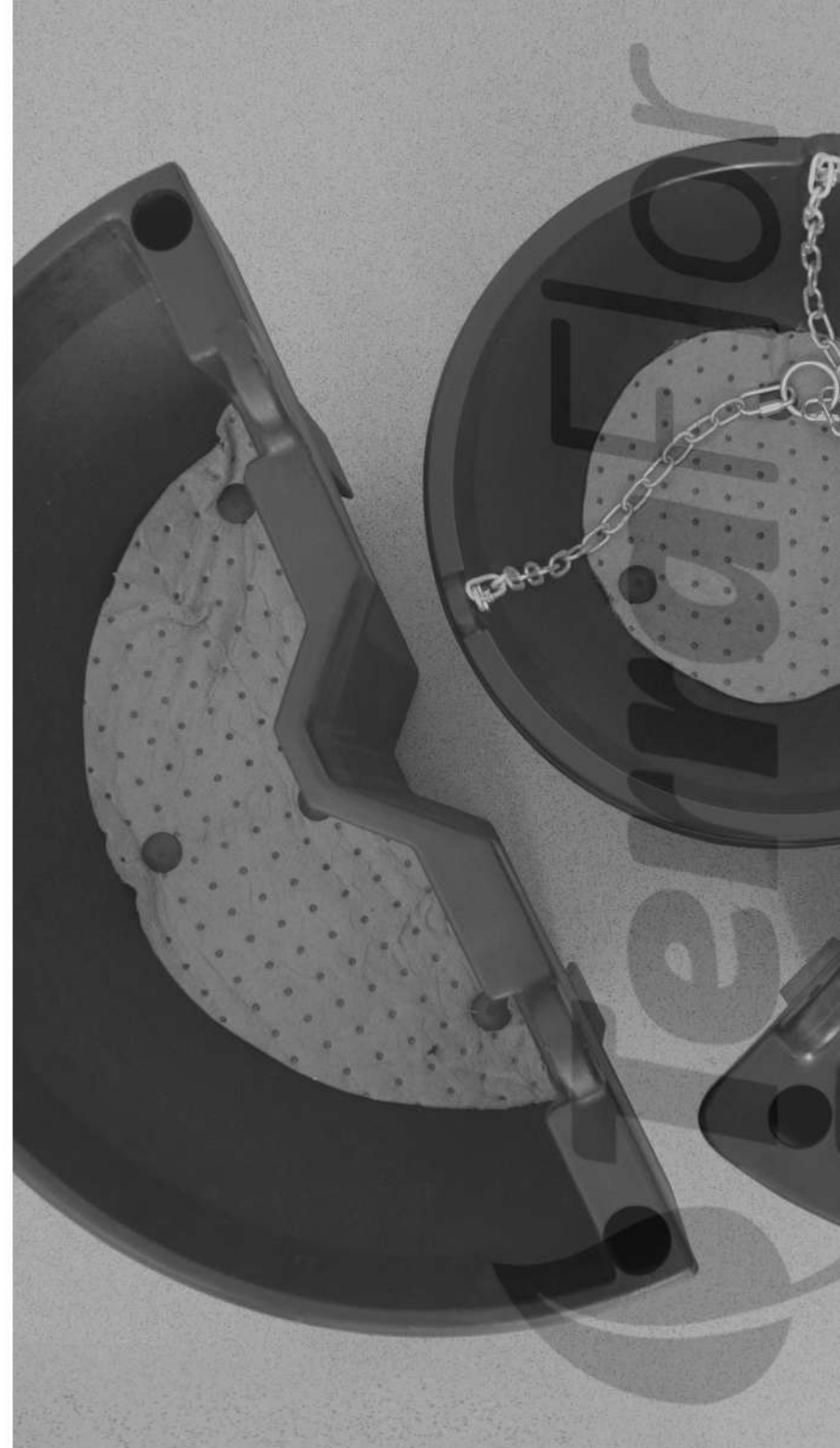
self-watering

 **TerraFlor**
the beauty of pure form





BEST	2
BEST CUP	4
BARIST	6
BARIST BASE	8
CESAR	10
WOVEN	12





BEST
590
800



MODEL	CODE	DIMENSIONS[MM]	PRICE
BEST 590 Set (2 halves + fixing) pot insert x 2	AB UTP-1P	590mm x 270mm	180 euro 90 euro
BEST 800 Set (2 halves + fixing) pot insert x 2	AB UTP-2P	800mm x 270mm	290 euro 110 euro

black
RAL 9005



dark green
RAL 6032

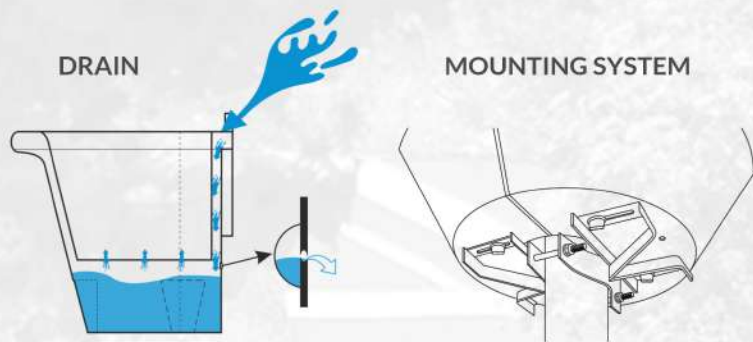


Warranty 10 years

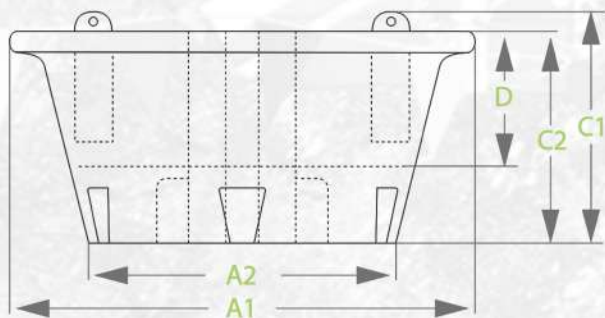


**BEST
590
800**

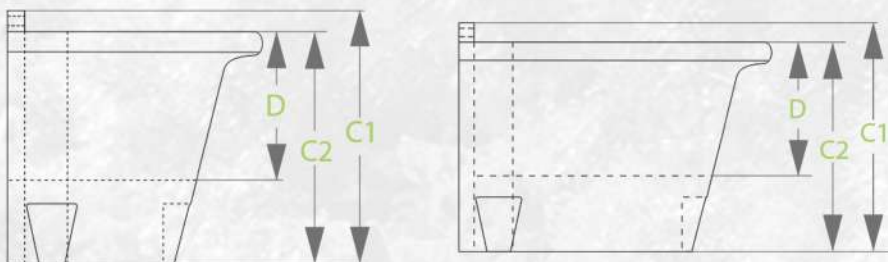
TECHNICAL SHEET



FRONT VIEW



SIDE VIEW



BEST 590

AB UTP-1P

A1	level width	590 mm	Capacity of substrate	▶ 12 l
A2	bottom width	390 mm	Second bottom capacity	▶ 5 l
B	level depth	295 mm	Weight before planting	▶ 2,2 kg
C1	total height	295 mm	Weight of the planting	▶ 14 kg ?
C2	height of pot	270 mm	Estimated amount of seedlings	▶ 5-7 items
D	insert depth	170 mm	Weight depends on the type of soil and its moisture	?
E	diameter of the bottom of the insert	410 mm		

BEST 800

AB UTP-2P

A1	level width	800 mm	Capacity of substrate	▶ 25 l
A2	bottom width	600 mm	Second bottom capacity	▶ 14 l
B	level depth	400 mm	Weight before planting	▶ 3,7 kg
C1	total height	295 mm	Weight of the planting	▶ 31 kg ?
C2	height of pot	270 mm	Estimated amount of seedlings	▶ 10-12 items
D	insert depth	170 mm	Weight depends on the type of soil and its moisture	?
E	diameter of the bottom of the insert	630 mm		

 **10 year warranty**

**BEST
CUP
650**



MODEL	CODE	DIMENSIONS[MM]	PRICE
BEST CUP 650 complet (2 halves + fixing)	AB CNS-1P	650mm x 300mm	215 euro
pot insert x 2			100 euro

black



RAL 9005

dark green



RAL 6032



Warranty 10 years

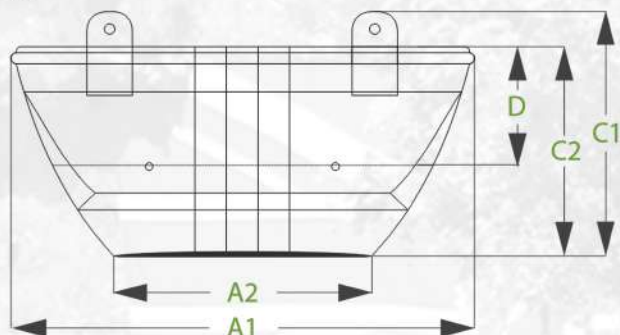
**BEST
CUP
650**

TECHNICAL SHEET

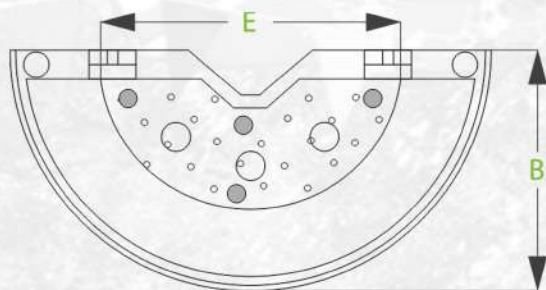
BEST CUP 650

AB CNS-1P

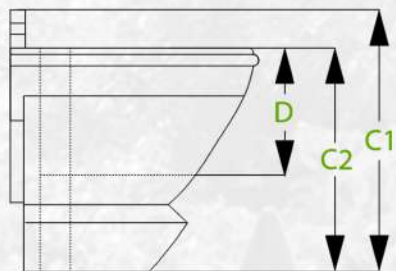
FRONT VIEW



SKETCH



SIDE VIEW

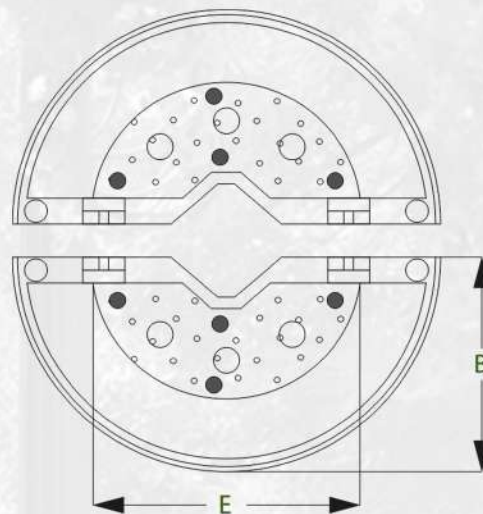


- A1** level width **650 mm**
- A2** bottom width **370 mm**
- B** level depth **325 mm**
- C1** total height **350 mm**
- C2** height of pot **300 mm**
- D** insert depth **170 mm**
- E** diameter of the bottom of the insert **430 mm**

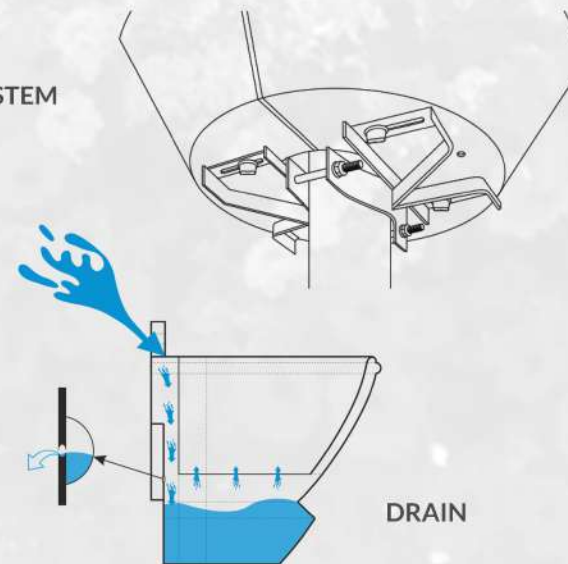
- Capacity of substrate **▶ 12 l**
- Second bottom capacity **▶ 9 l**
- Weight before planting **▶ 2,7 kg**
- Weight of the planting **▶ 18 kg**
- Estimated amount of seedlings **▶ 5-7 items**

Weight depends on the type of soil and its moisture

SKETCH



MOUNTING SYSTEM



10 year warranty



**BARIST
470**



MODEL	CODE	DIMENSIONS[MM]	PRICE
BARIST 470 with chain	AB CHB-1P	470mm x 270mm	95 euro

black



RAL 9005

dark green

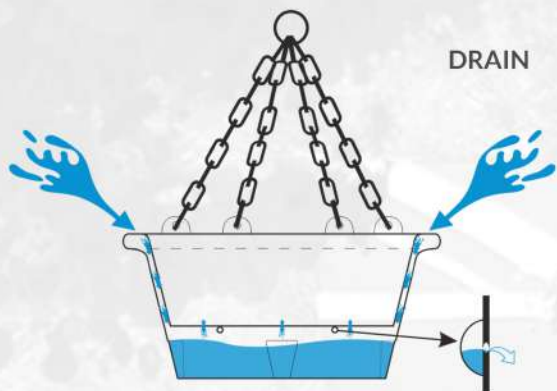


RAL 6032



Warranty 10 years

BARIST 470



FRONT VIEW



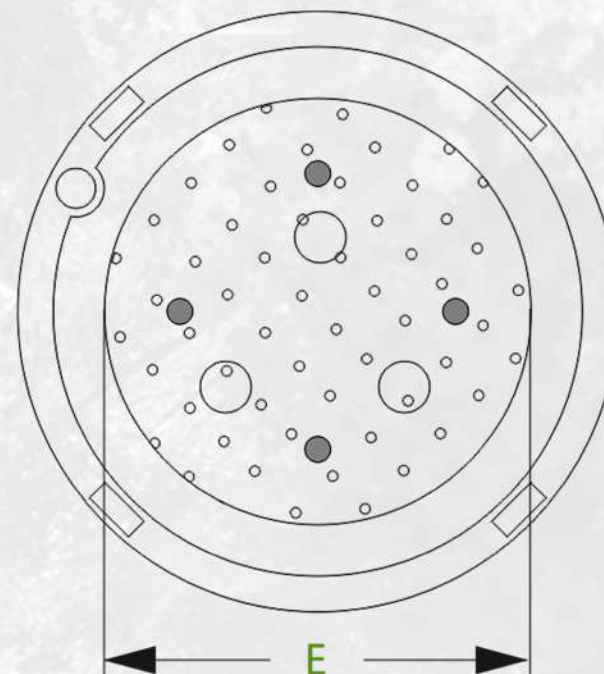
BARIST 470

AB CHB 1P

- A diameter of level **470 mm**
- B diameter of bottom **285 mm**
- C total height **270 mm**
- D insert depth **190 mm**
- E diameter of the bottom of the insert **290 mm**

- Capacity of substrate ► **15 l**
- Second bottom capacity ► **6 l**
- Weight before planting ► **2,3 kg**
- Weight of the planting ► **15 kg**
- Estimated amount of seedlings ► **10-12 items**

Weight depends on the type of soil and its moisture



SKETCH

10 year warranty



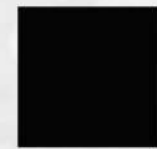
BARIST
 BASE
420
530



MODEL	CODE	DIMENSIONS[MM]	PRICE
BARIST BASE 420 with chain	AB CAS-0P	420mm x 240mm	75 euro
BARIST BASE 530 with chain	AB CAS-1P	530mm x 265mm	140 euro



black



RAL 9005

dark green



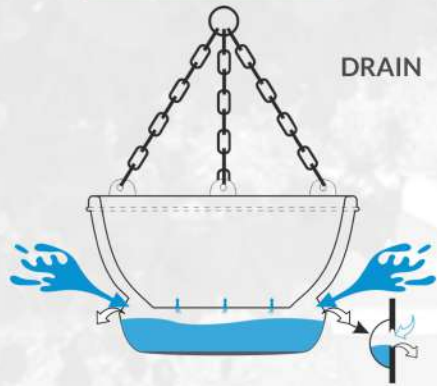
RAL 6032



Warranty 10 years

BARIST BASE 420 530

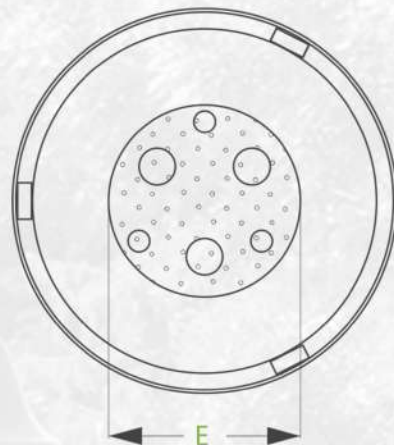
TECHNICAL SHEET



FRONT VIEW



SKETCH



BARIST BASE 420

AB CAS-0P

A	diameter of level	420 mm
B	diameter of bottom	290 mm
C	total height	240 mm
D	insert depth	150 mm
E	diameter of the bottom of the insert	210 mm

	Capacity of substrate	▶ 11 l
	Second bottom capacity	▶ 7 l
	Weight before planting	▶ 2,3 kg
	Weight of the planting	▶ 15 kg
	Estimated amount of seedlings	▶ 8-10 items
	Weight depends on the type of soil and its moisture	

BARIST BASE 530

AB CAS-1P

A	diameter of level	530 mm
B	diameter of bottom	320 mm
C	total height	265 mm
D	insert depth	190 mm
E	diameter of the bottom of the insert	290 mm

	Capacity of substrate	▶ 24 l
	Second bottom capacity	▶ 13 l
	Weight before planting	▶ 3,7 kg
	Weight of the planting	▶ 27 kg
	Estimated amount of seedlings	▶ 12-15 items
	Weight depends on the type of soil and its moisture	



**CESAR
500**

MODEL

CODE

DIMENSIONS[MM]

PRICE

CESAR 500
with chain

AB IMP-0P

500mm x 320mm

135 euro

black



RAL 9005

dark green



RAL 6032



sandstone



Warranty 10 years

T: +48 667 106 666 | E: INFO@TERRA-UK.EU | TERRA-UK.EU

 **TerraFlor**


CESAR 500


TECHNICAL SHEET

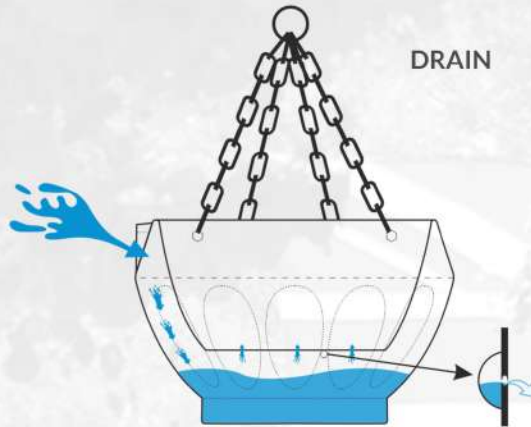
CESAR 500

AB IMP-OP

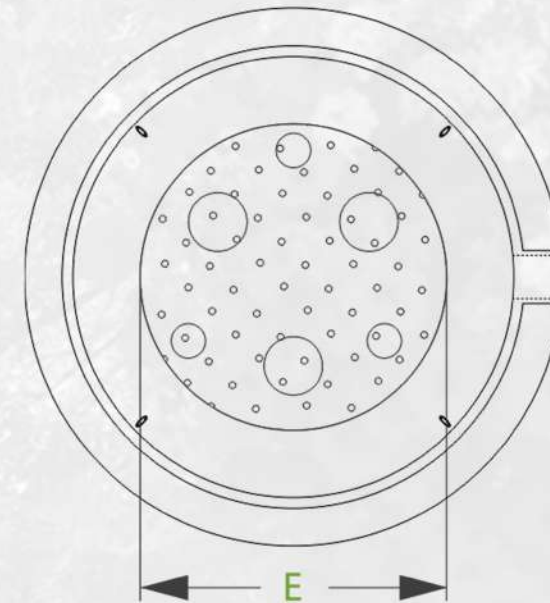
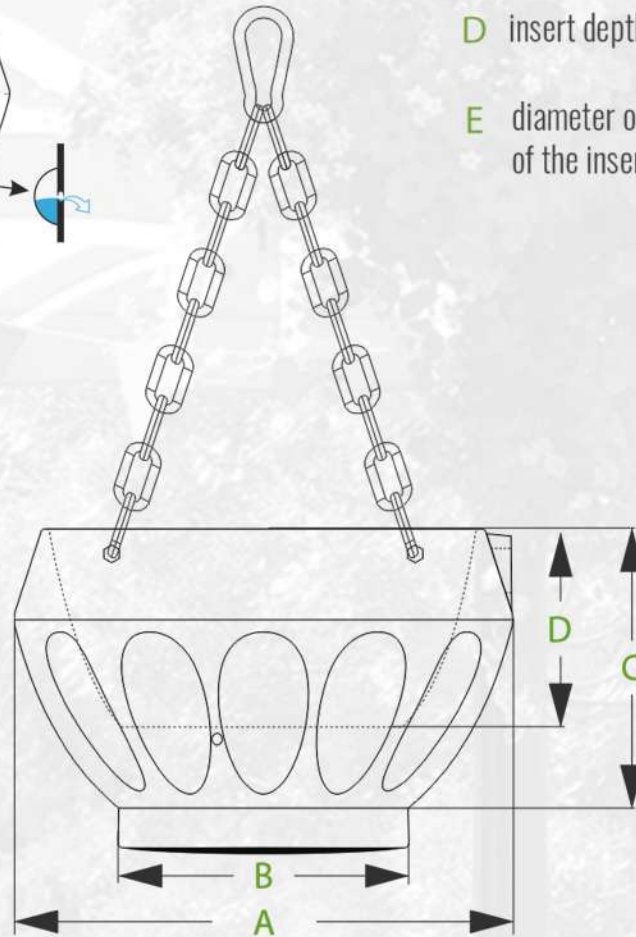
- A diameter of level **500 mm**
- B diameter of bottom **290 mm**
- C total height **320 mm**
- D insert depth **195 mm**
- E diameter of the bottom of the insert **290 mm**

- Capacity of substrate **▶ 20 l**
- Second bottom capacity **▶ 8 l**
- Weight before planting **▶ 4,8 kg**
- Weight of the planting **▶ 22 kg** 
- Estimated amount of seedlings **▶ 10-12 items**

 Weight depends on the type of soil and its moisture



FRONT VIEW



SKETCH

 **10 year warranty**



**WOVEN
440**

MODEL

CODE

DIMENSIONS[MM]

PRICE

WOVEN 440
with chain

AB WKR-0P

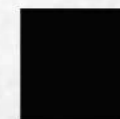
440mm x 280mm

80 euro



Warranty 10 years

black



RAL 9005

dark green



RAL 6032





Terra Group

*create more
beautiful tomorrow!*

ul. Gen. Józefa Sowińskiego 42a
65-419 Zielona Góra

T: +48 68 413 92 02
F.: +48 68 414 54 25

E: info@terra-uk.eu
www.terra-uk.eu