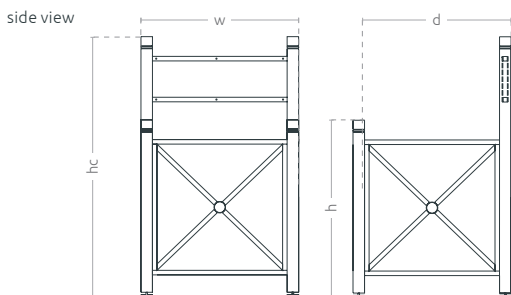
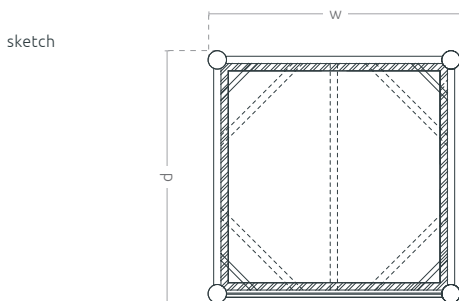




Tourist Information Stand Urbana XL

TECHNICAL SHEET

A tourist information stand built on a solid, steel construction. It is an element of the collection thanks to which tourists and guests will be provided with required information: city maps, welcome leaflets or timetables of public transport. The product is compatible with the XL pot, which allows to bring some additional plants to the surroundings.





Tourist Information Stand Urbana XL

FEATURES



compatible
with the whole
collection



powder
coating RAL



frame-
hot-dip
galvanized
steel



walls-
hot-dip
galvanized
steel



reinforced
bottom



heavy
and stable

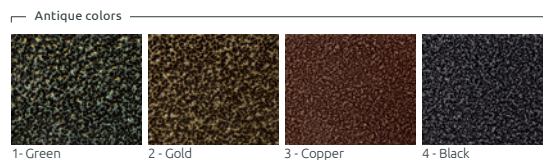


styrofoam
insulation



adjustable
height

COLORS



Ask your sales advisor about the details

OPTIONAL



stabilizing
holders to
a tree

MODELS

Model	Code	Dimensions [mm]	Compatibility
Tourist Information Stand Urbana XL	TC 001 401	w 1040 × hc 1695 × h 1145 × d 1040	684 l



Personalized Model

Any pot size - according to your needs.
Ask your sales advisor about the details.