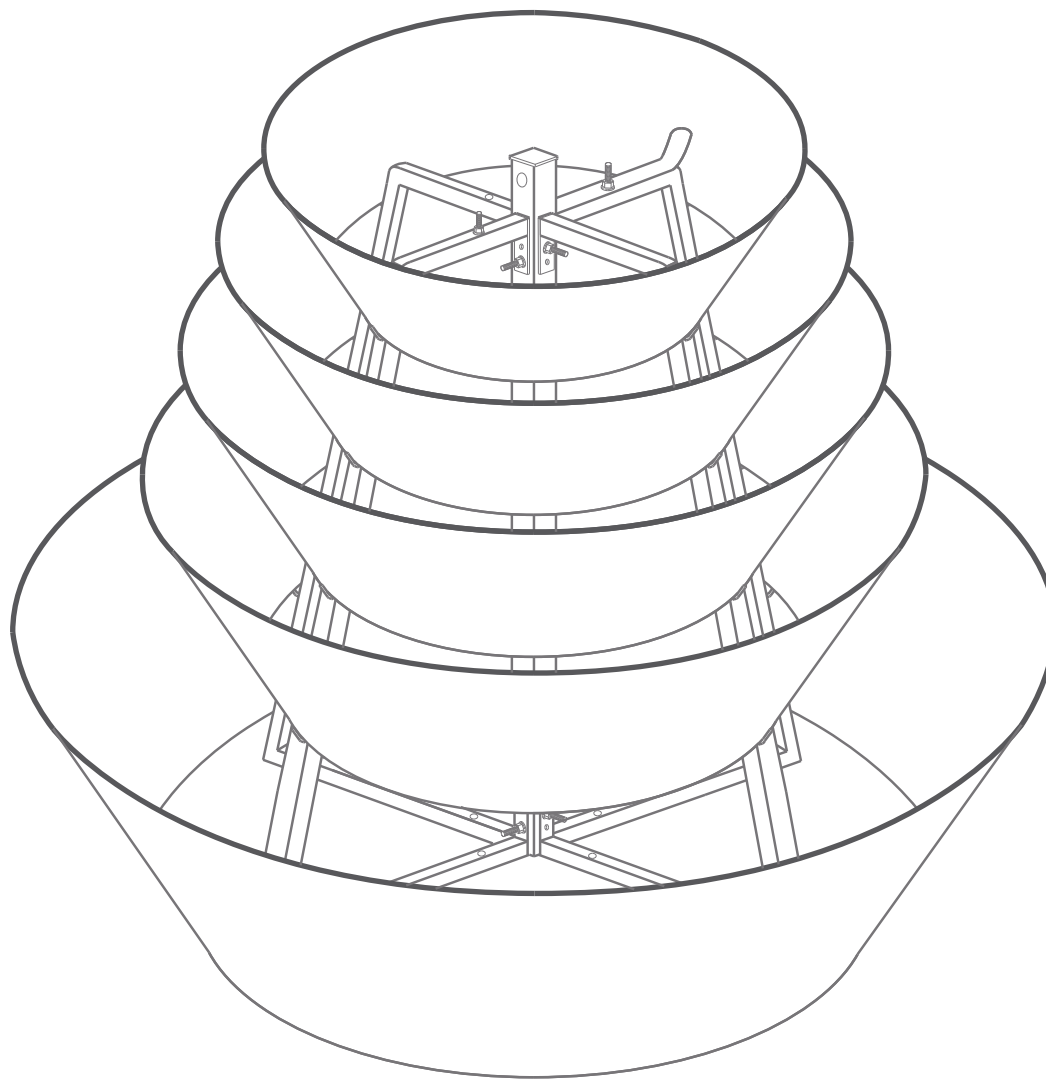


# ASSEMBLY INSTRUCTIONS

## THE FLOWER TOWER

# H1050

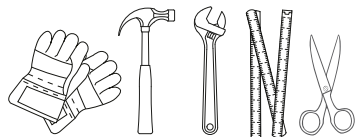


tel: +48 68 455 62 69 | info@terra-uk.eu  
[www.terra-uk.eu](http://www.terra-uk.eu)

**Terra**<sup>®</sup>  
Group



### USEFUL TOOLS



**TIP:** Installation should be performed by 2 people.



### TECHNICAL SUPPORT

In case of problems or doubts during the installation, contact the Customer Service Office.



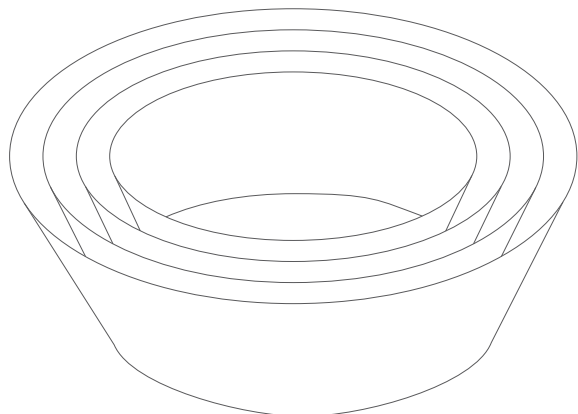
68 455 62 69



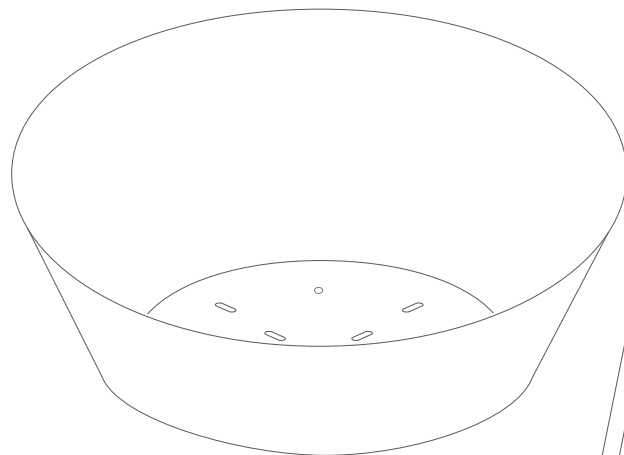
### PRODUCT WARRANTY

Before the installation read carefully the assembly instructions and check if the product is not faulty or wasn't damaged during transport. We do not carry responsibility for any faults of already installed products.

We are not liable for damage caused during transport, improper storage of products and unauthorized attempts of construction modification.

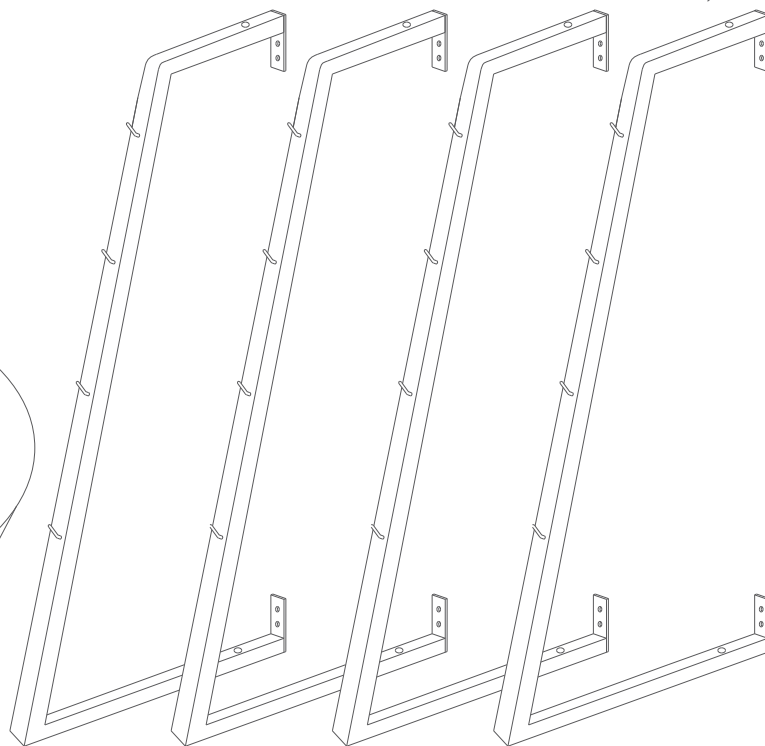


**C3** upper rings **x4**

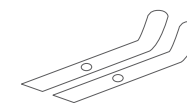


**C1** bottom bowl with legs **x1**

**B1** a mast arm **x4**



**A1** a construction mast **x1**



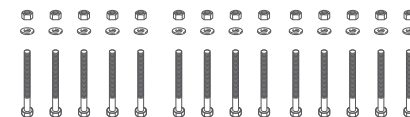
**x2**

**B3** a flat bar



**x1**

**A3** a mast cover

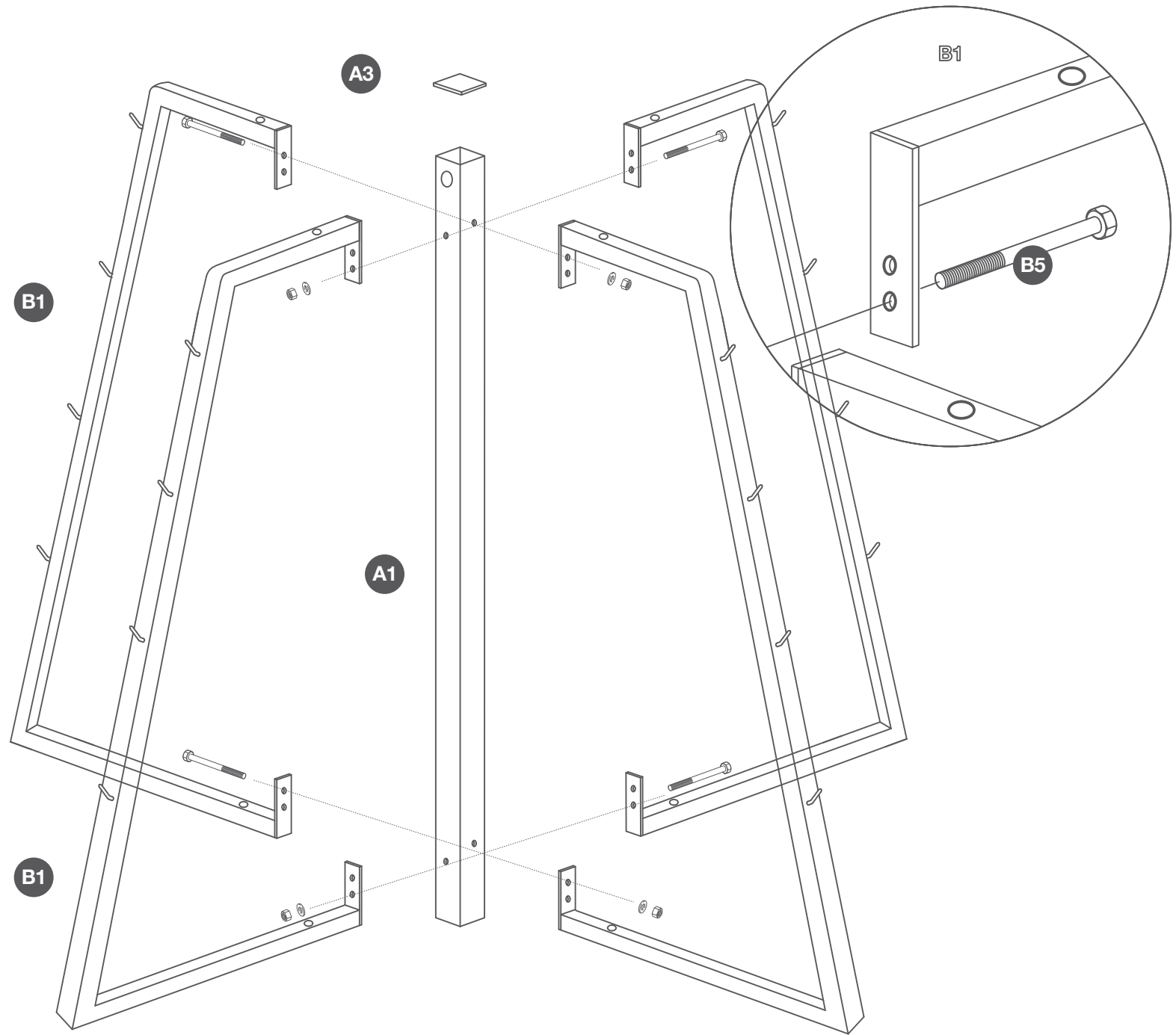


**B5** a screw 10x50 **x14**

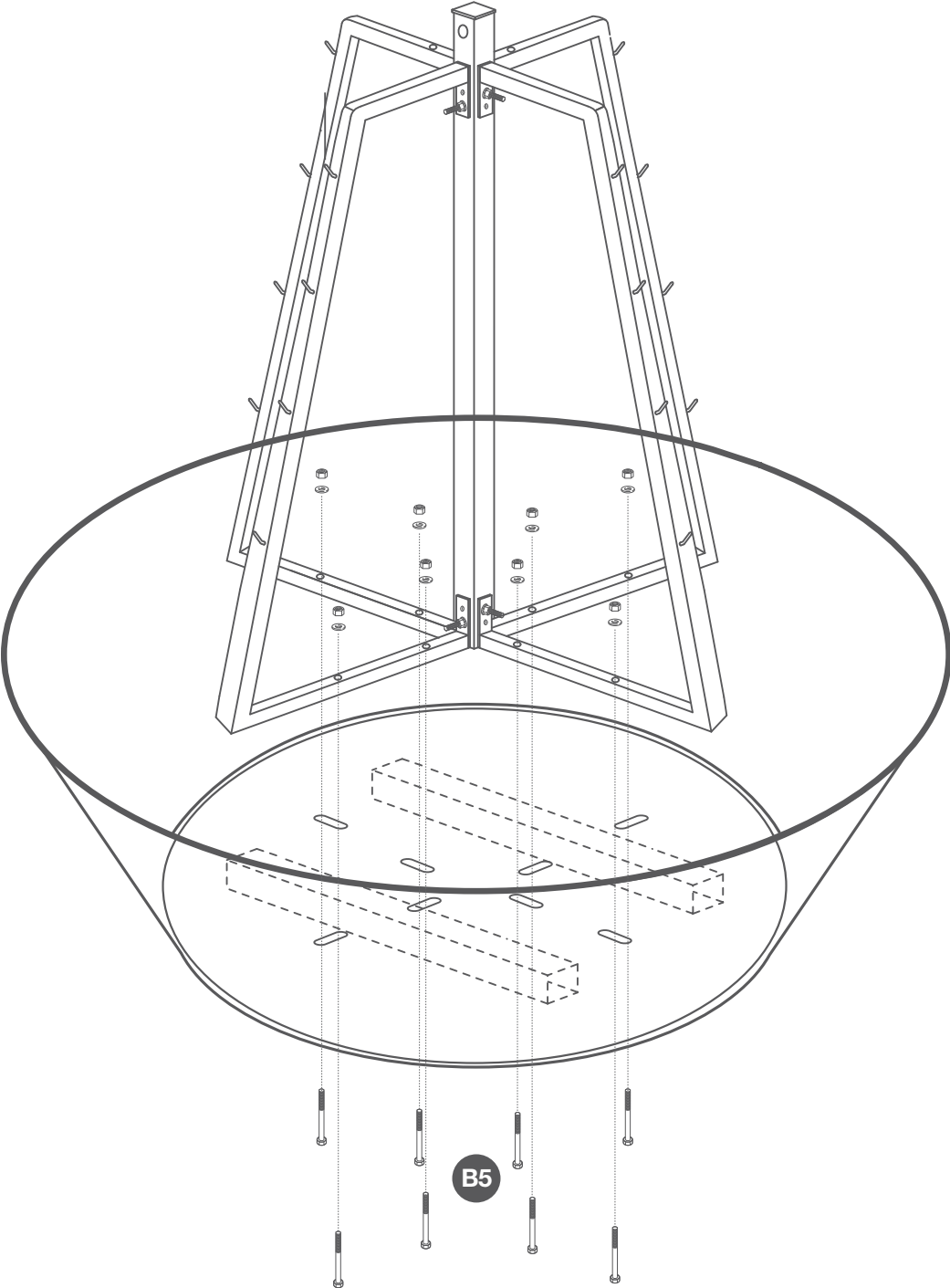


**C6** the rubber for the rings and bottom bowl **x1**

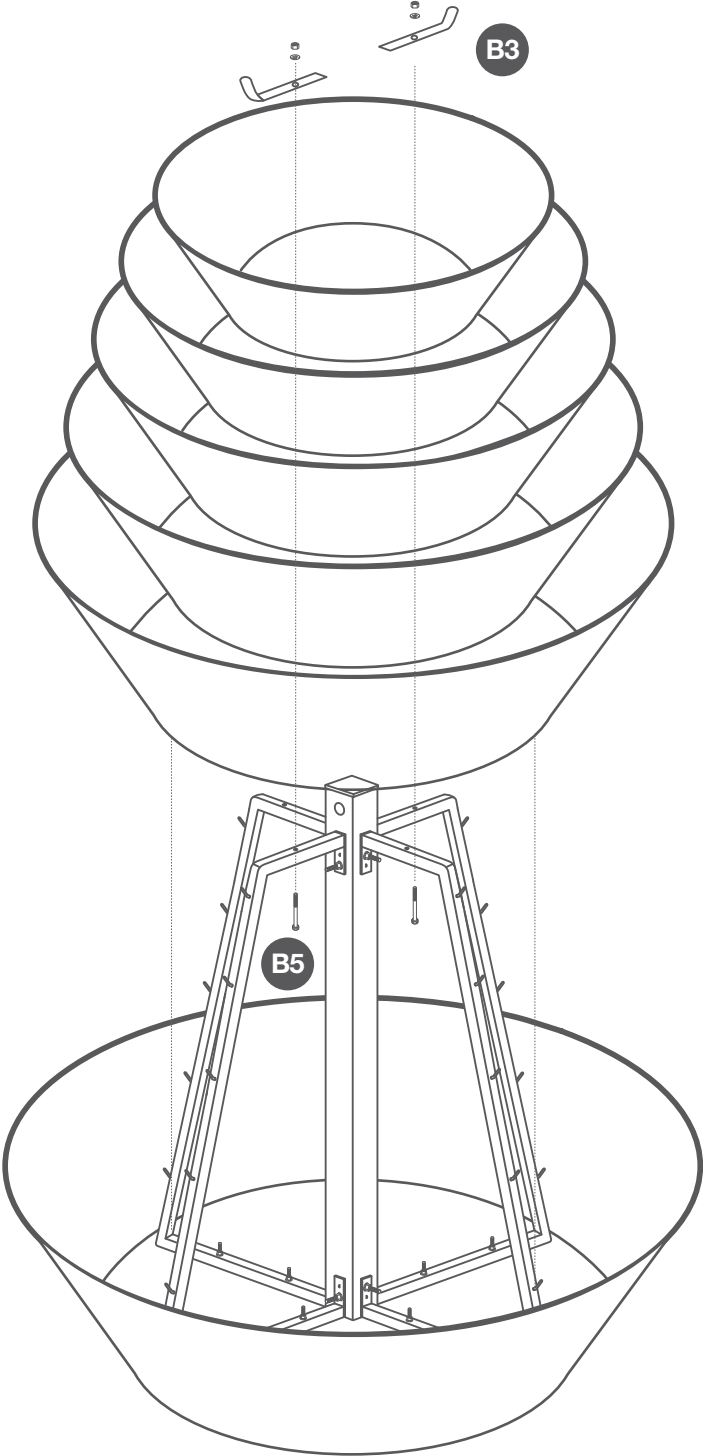
1



2

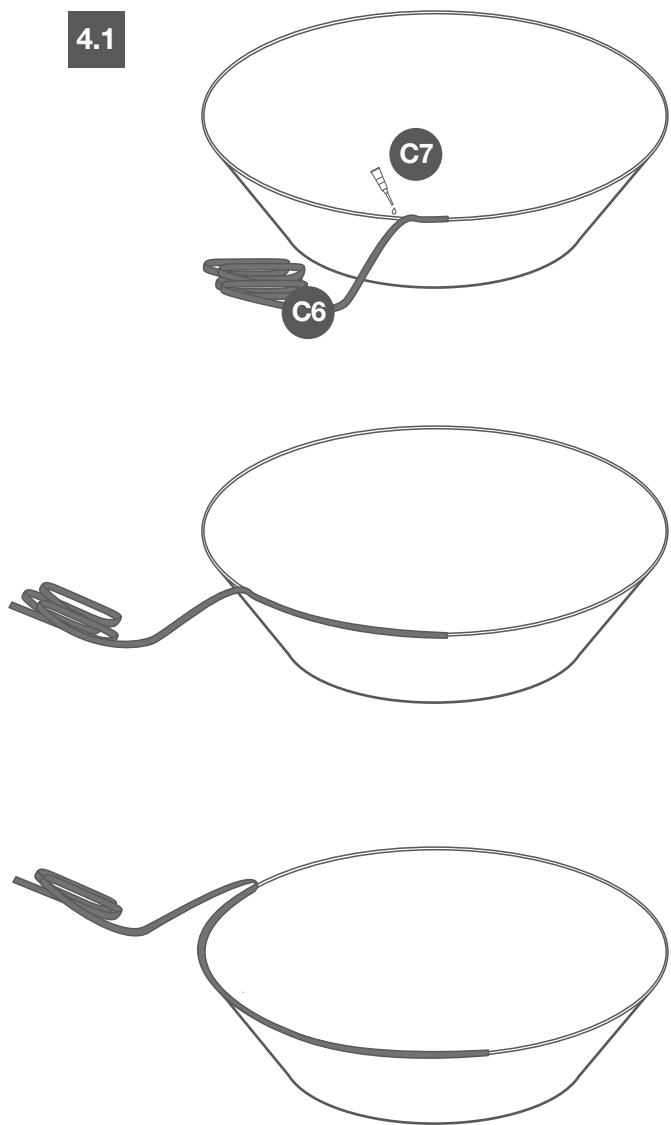


3



# 4

4.1



4.2

