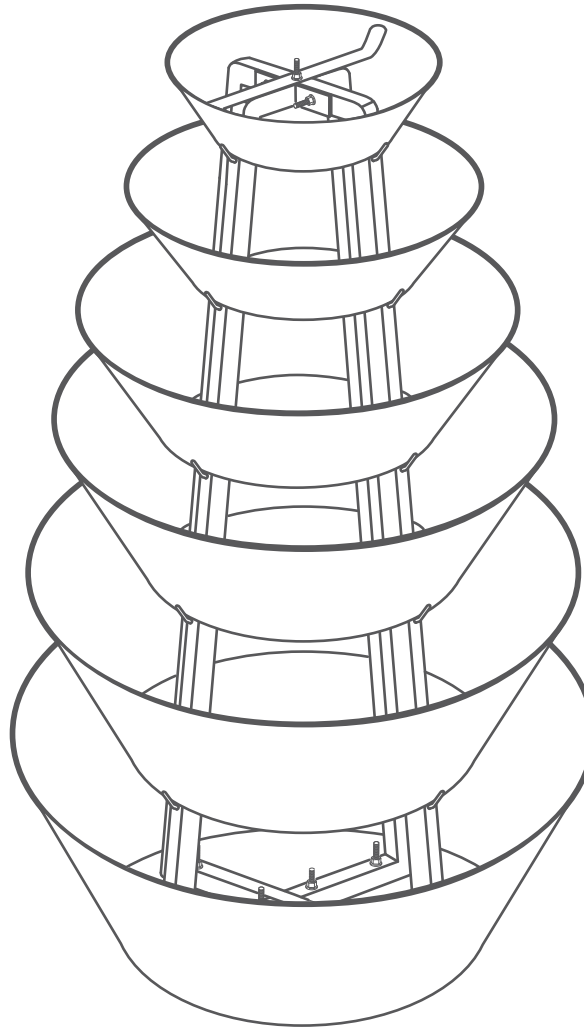


ASSEMBLY INSTRUCTIONS

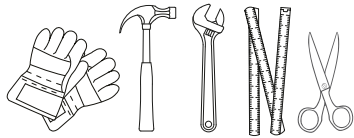
FLOWER TOWER

H1100

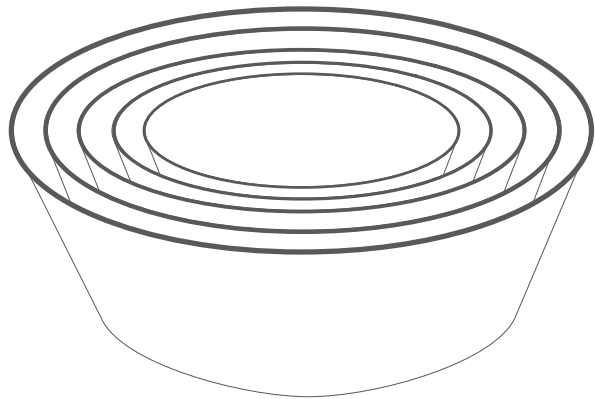




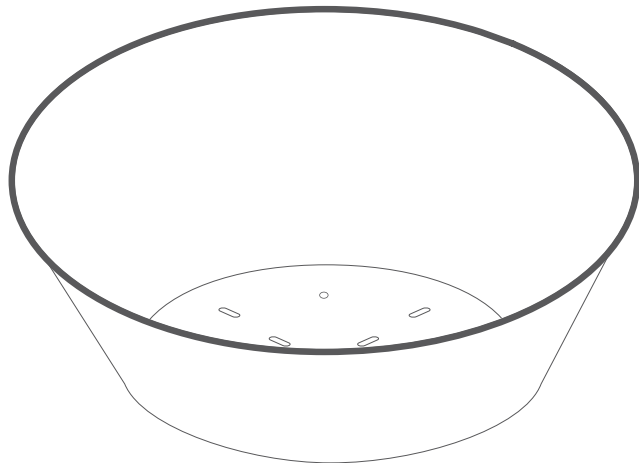
USEFUL TOOLS



TIP: Assembly of the construction should be carried out by 2 persons.

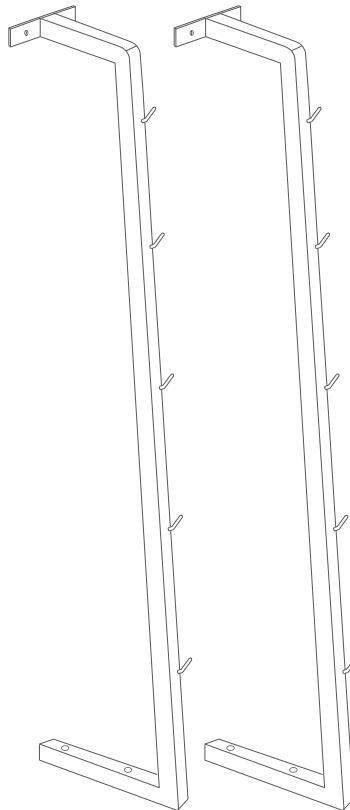


c3 upper rings with a rubber gasket **x5**

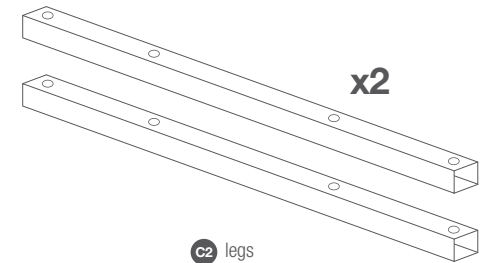
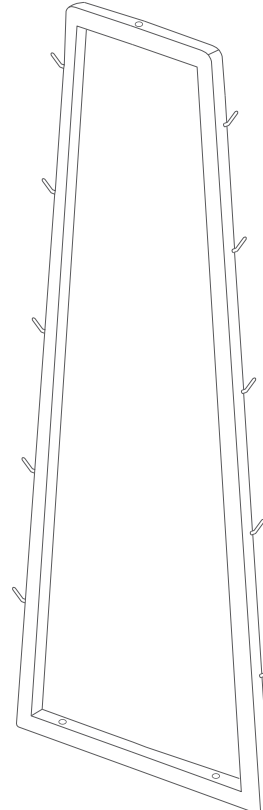


c1 bottom ring with a rubber gasket **x1**

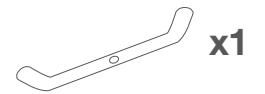
B1 mast arms **x2**



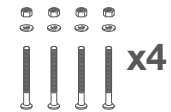
B2 mast arms **x1**



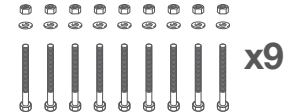
C2 legs **x2**



B3 safety flat bar **x1**

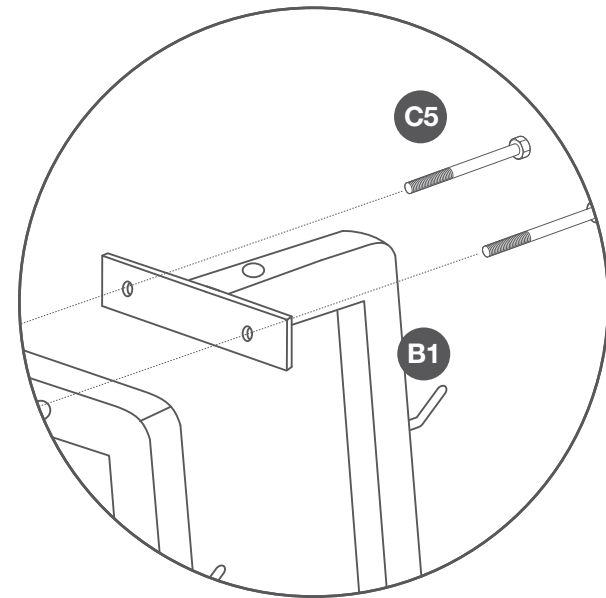
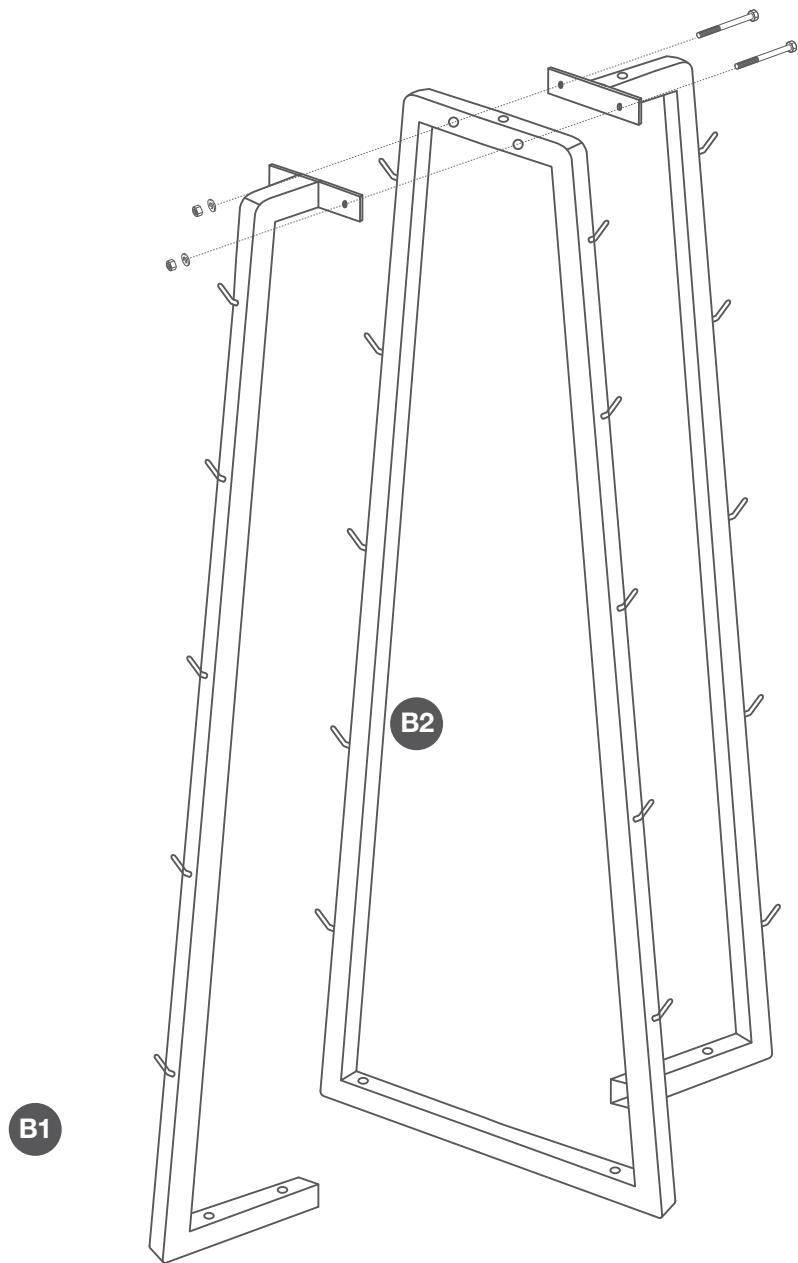


C4 conical screw 8x50 **x4**

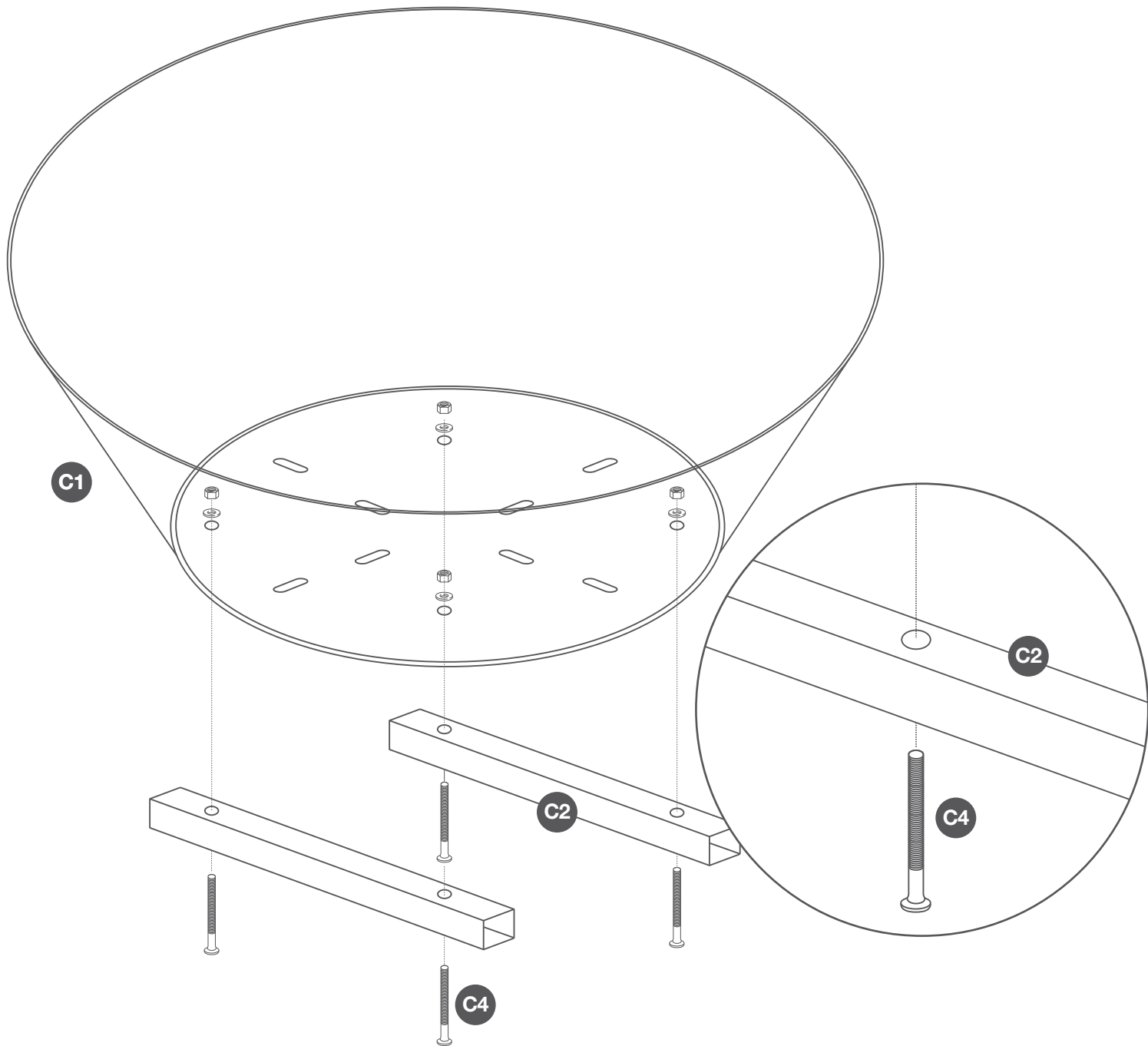


C5 screw 8x50 **x9**

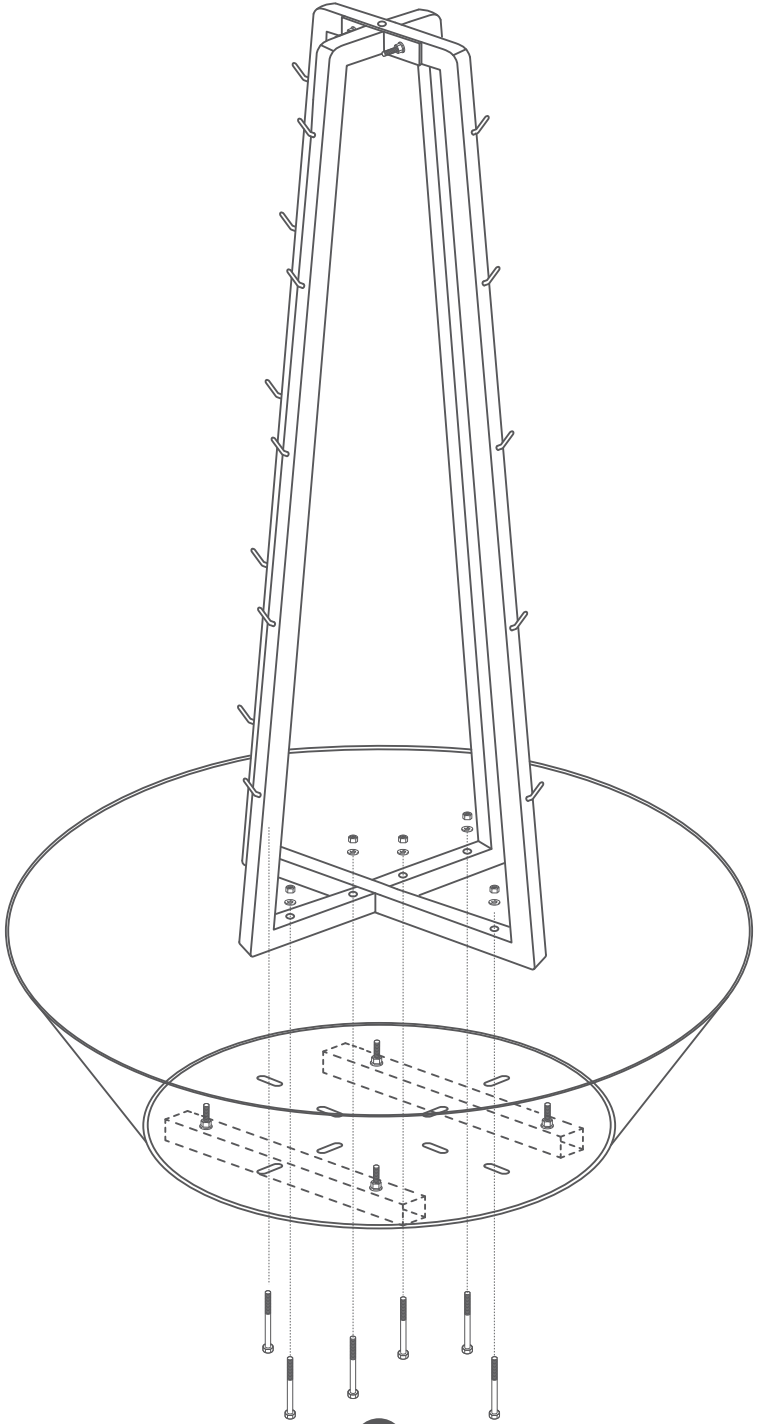
1



2

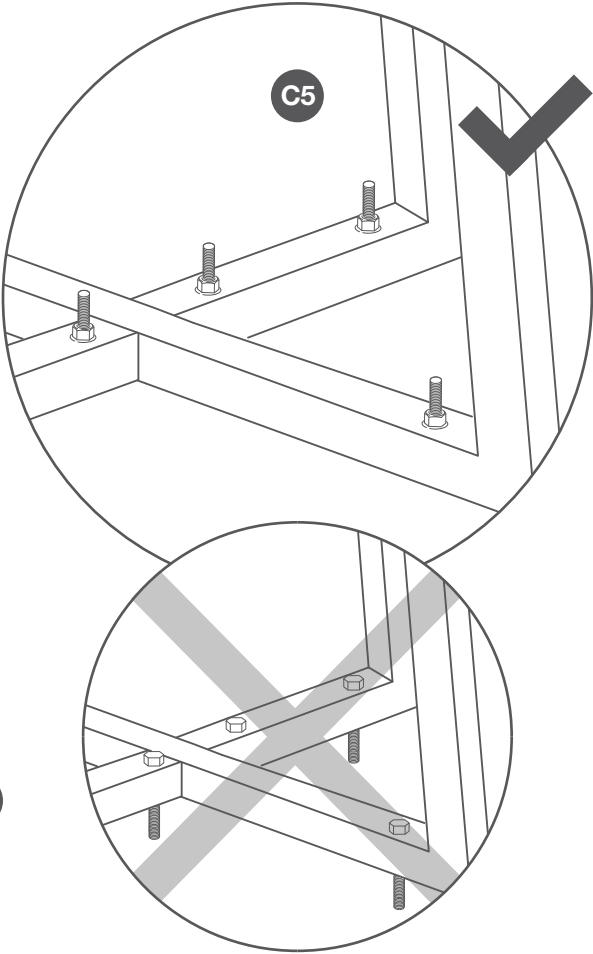


3



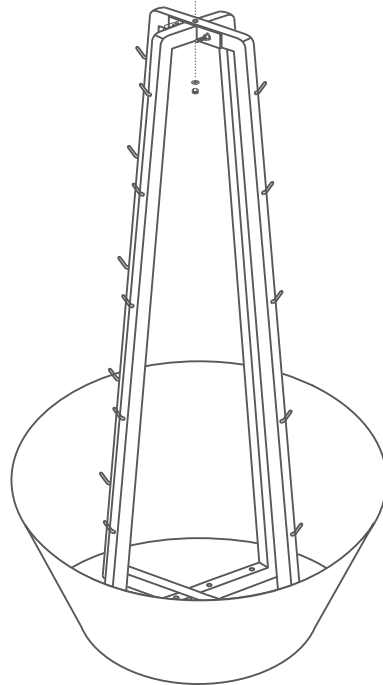
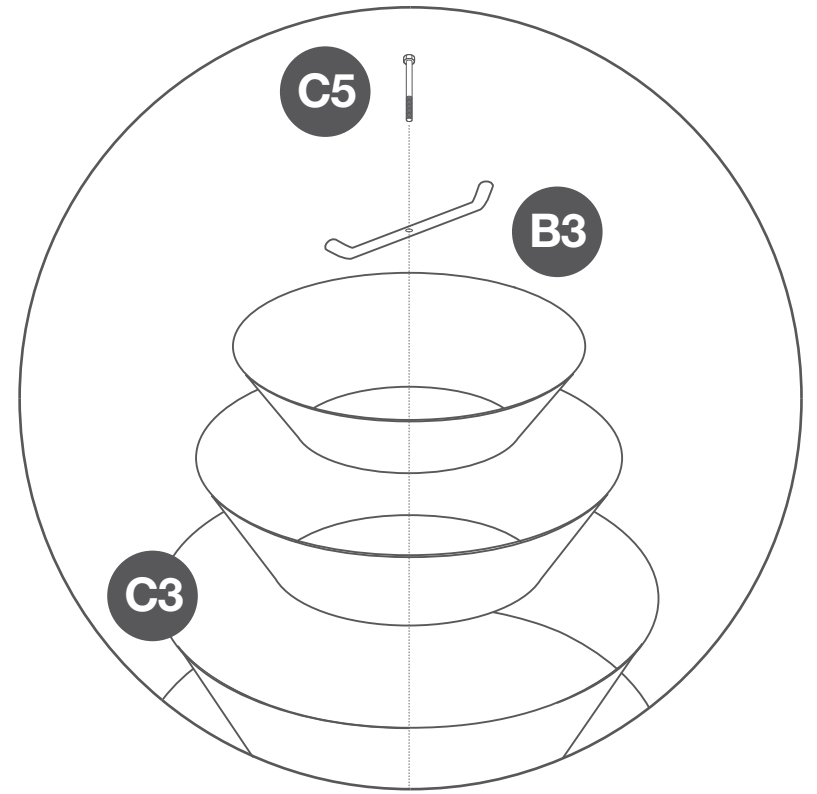
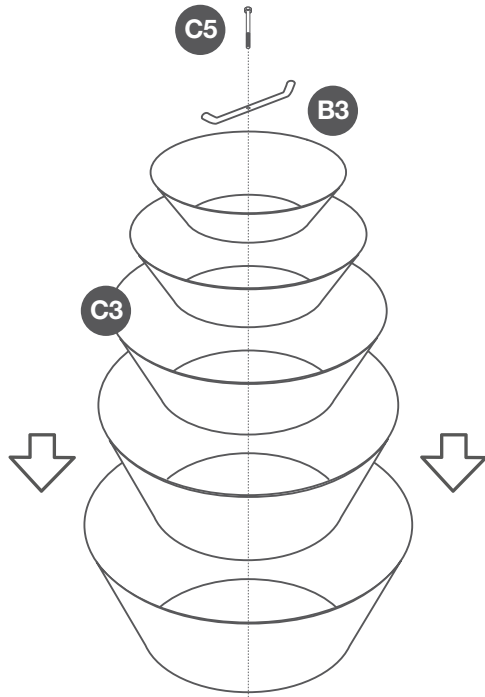
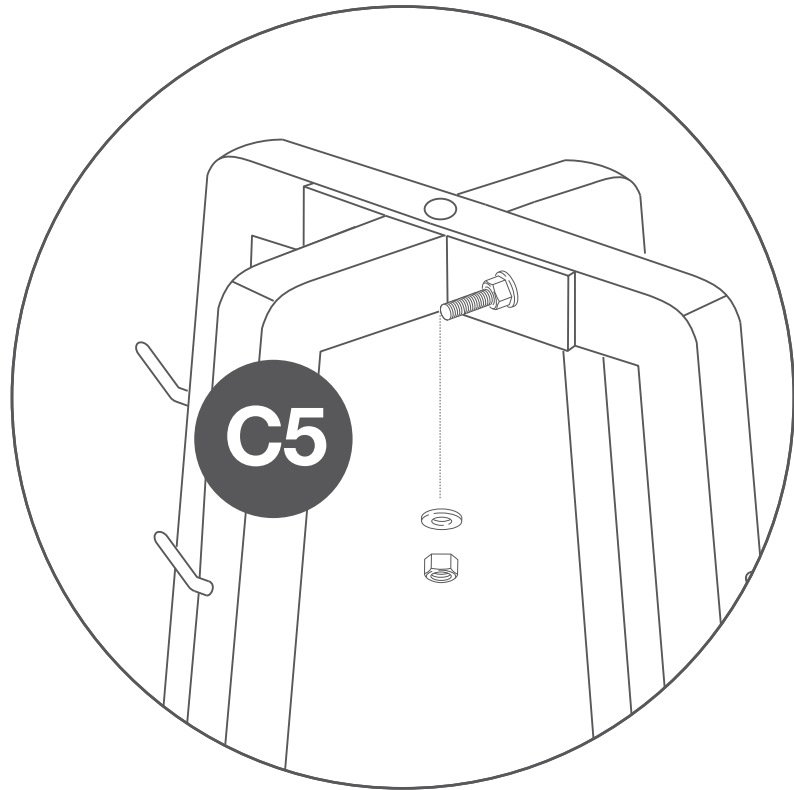
C1

C5



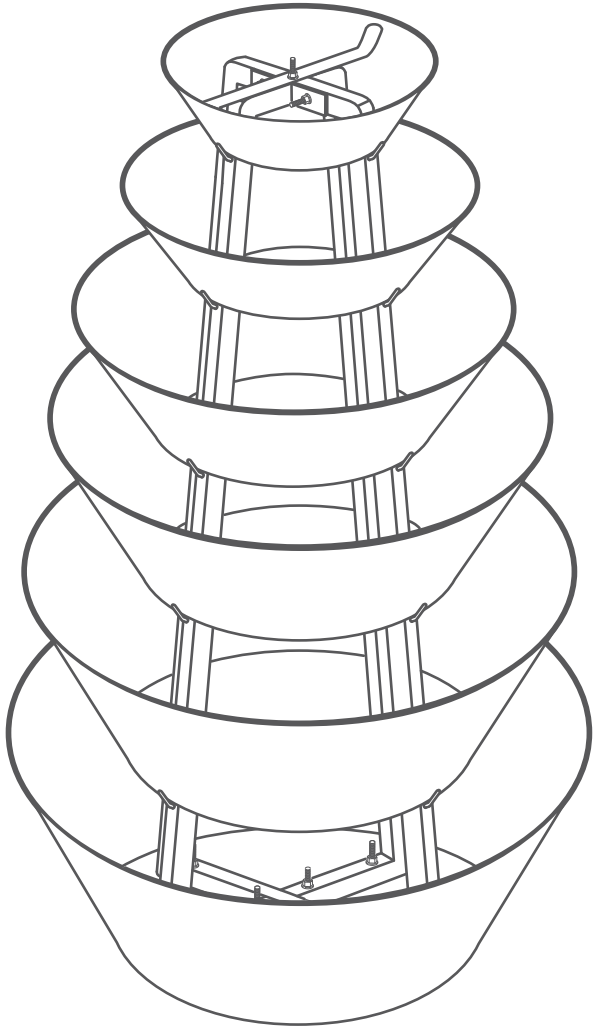
C5

4



Put the next rings on the mast construction, one by one - from the biggest to the smallest

5



Ready!

