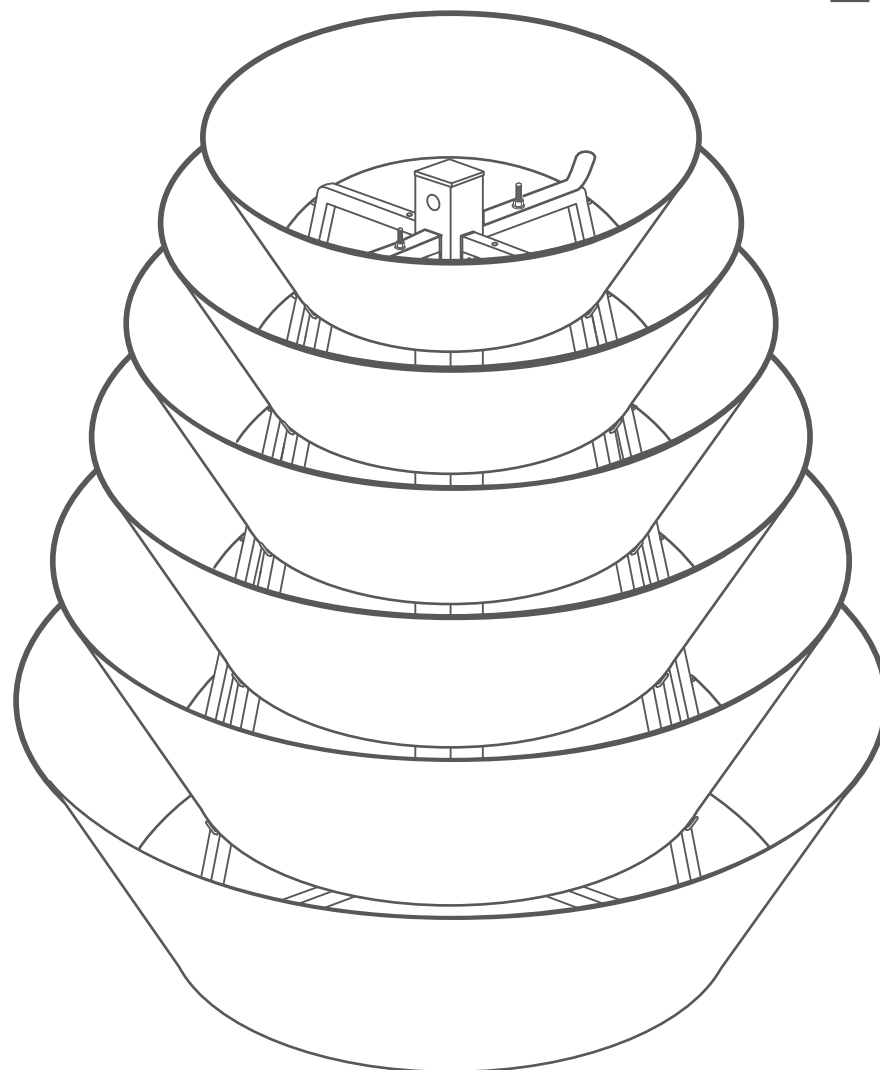


# ASSEMBLY INSTRUCTIONS

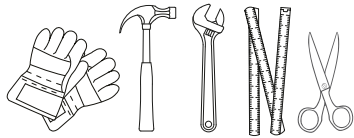
## FLOWER TOWER

# H1200

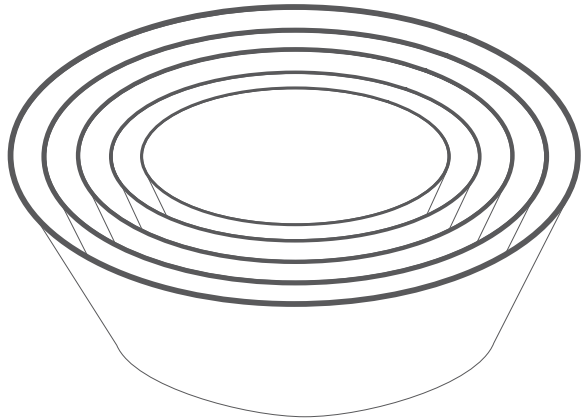




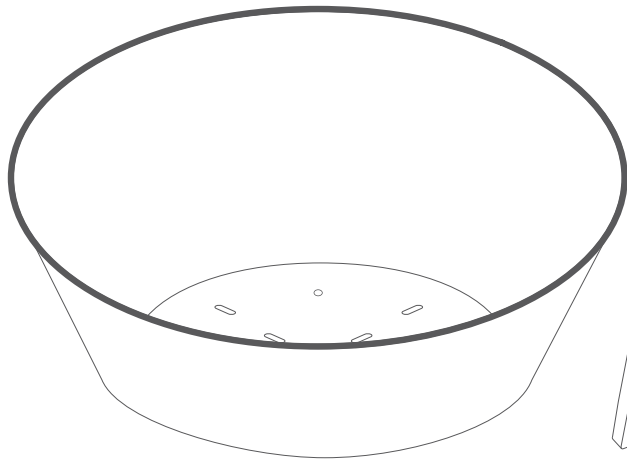
### USEFUL TOOLS



**TIP:** Assembly of the construction should be carried out by 2 persons.

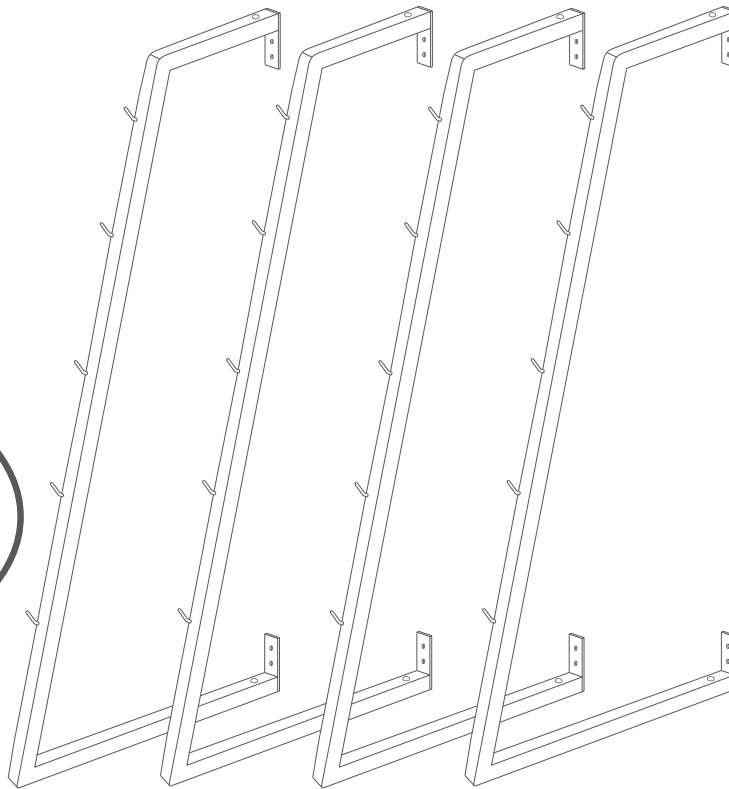


**C3** upper rings with a rubber gasket **x5**

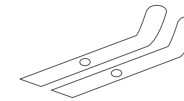
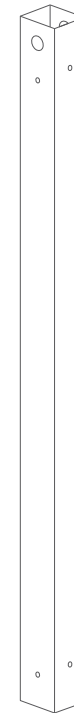


**C1** bottom ring with a rubber gasket **x1**

**B1** mast arms **x4**



**A1** central mast **x1**



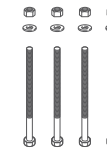
**x2**

**B3** safety flat bar



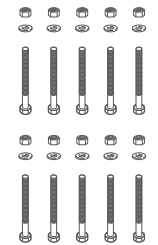
**x1**

**A3** mast cover



**x4**

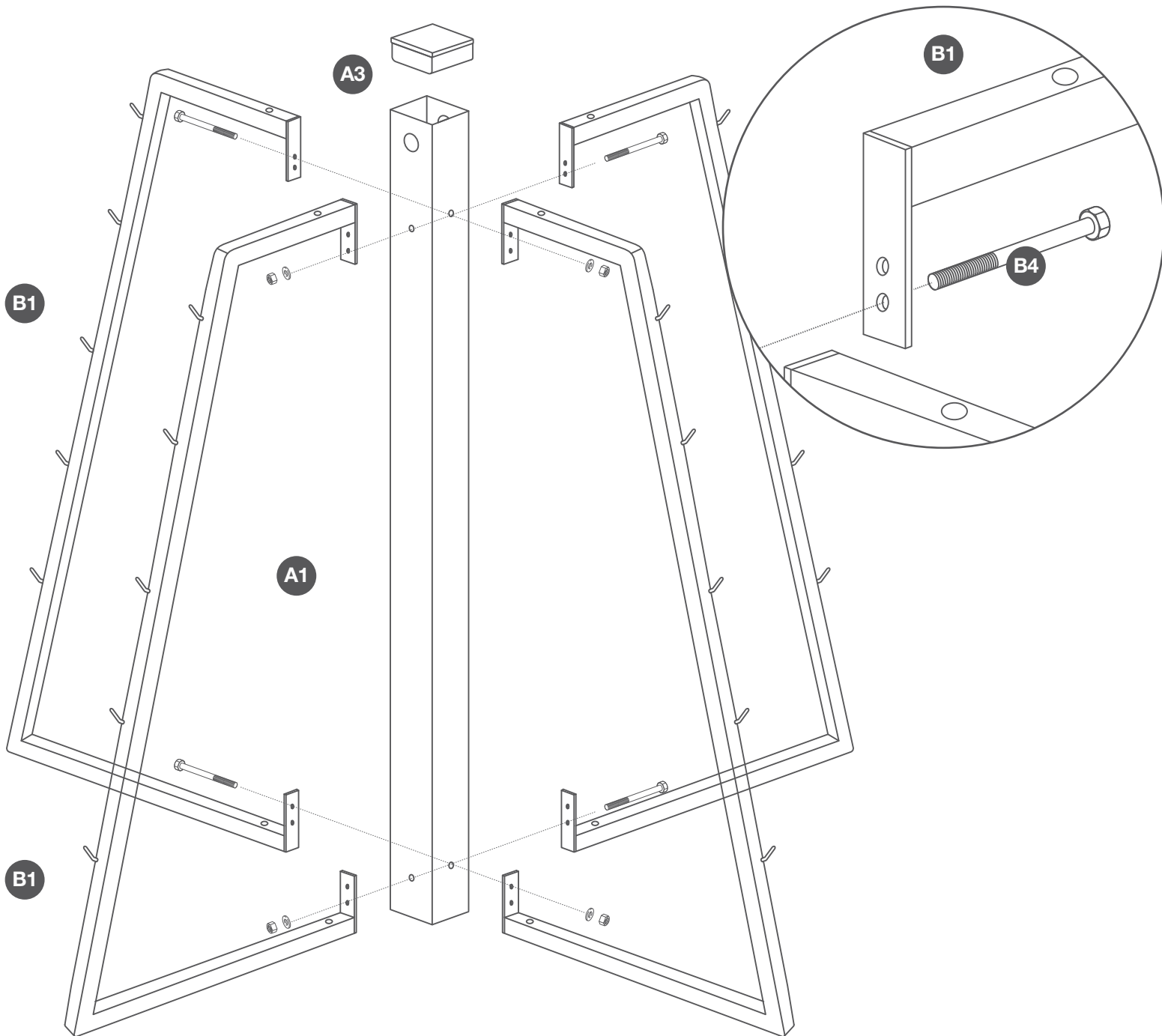
**B4** screw 10x90



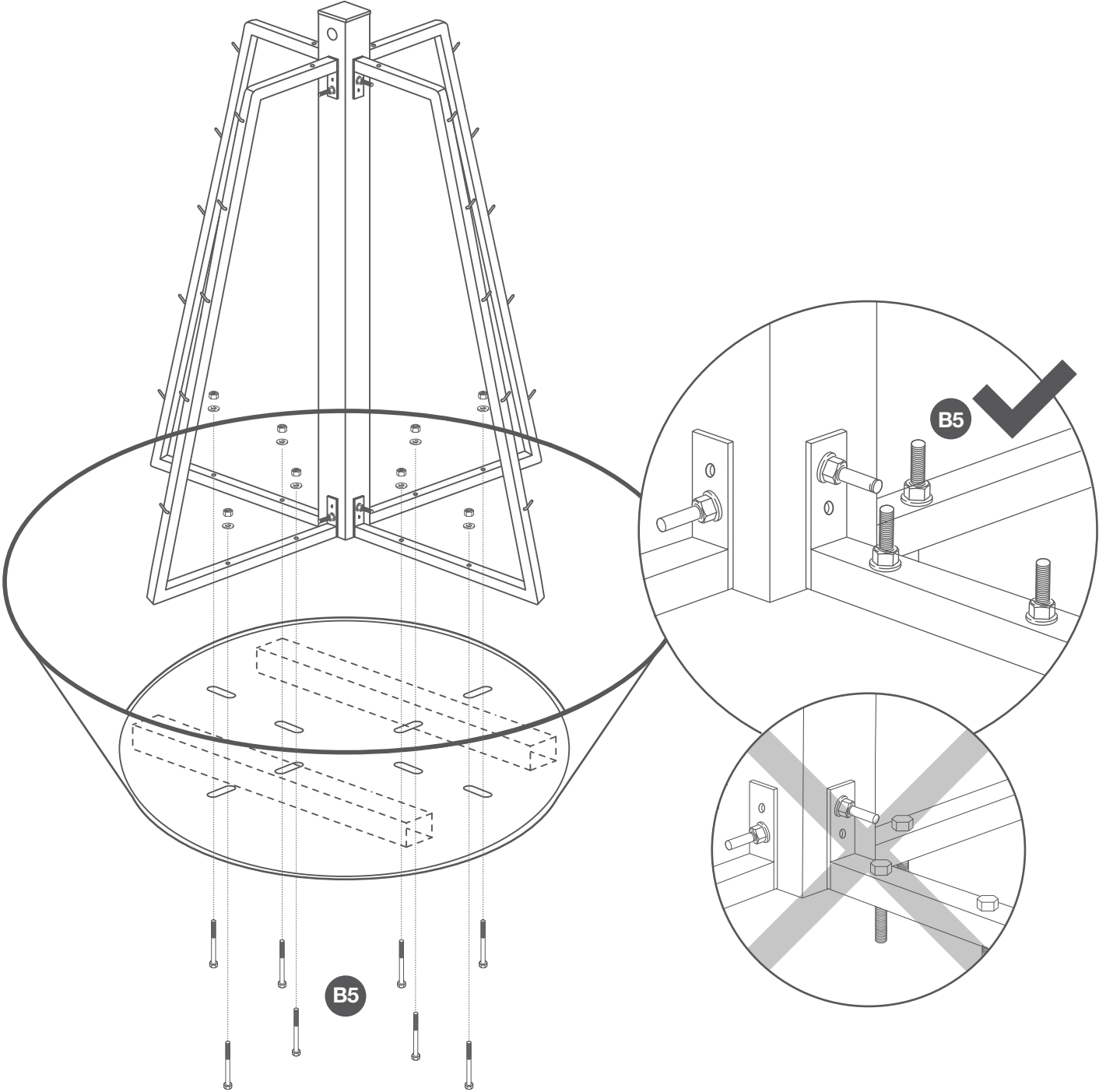
**x10**

**B5** screw 10x50

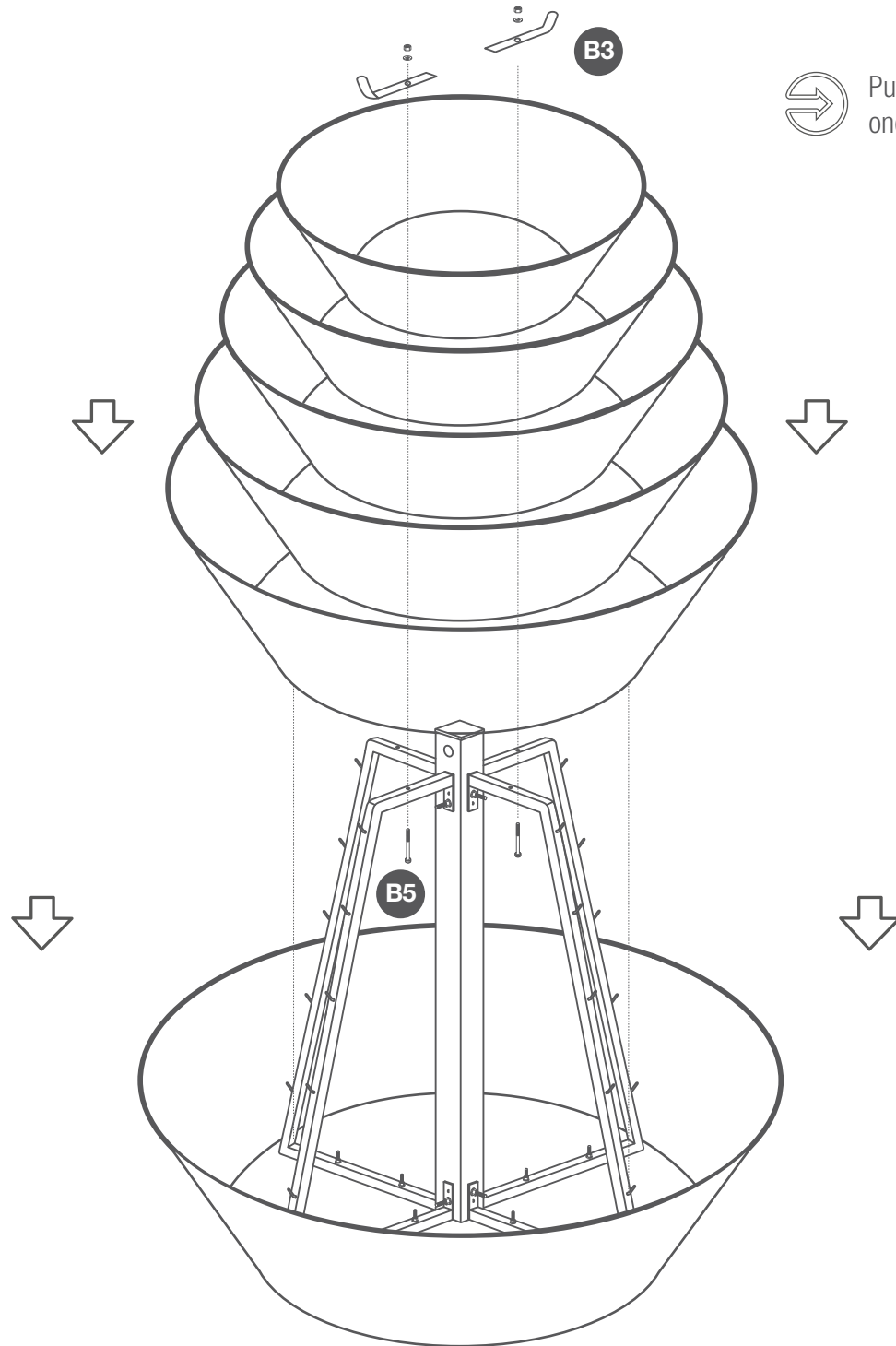
1



2

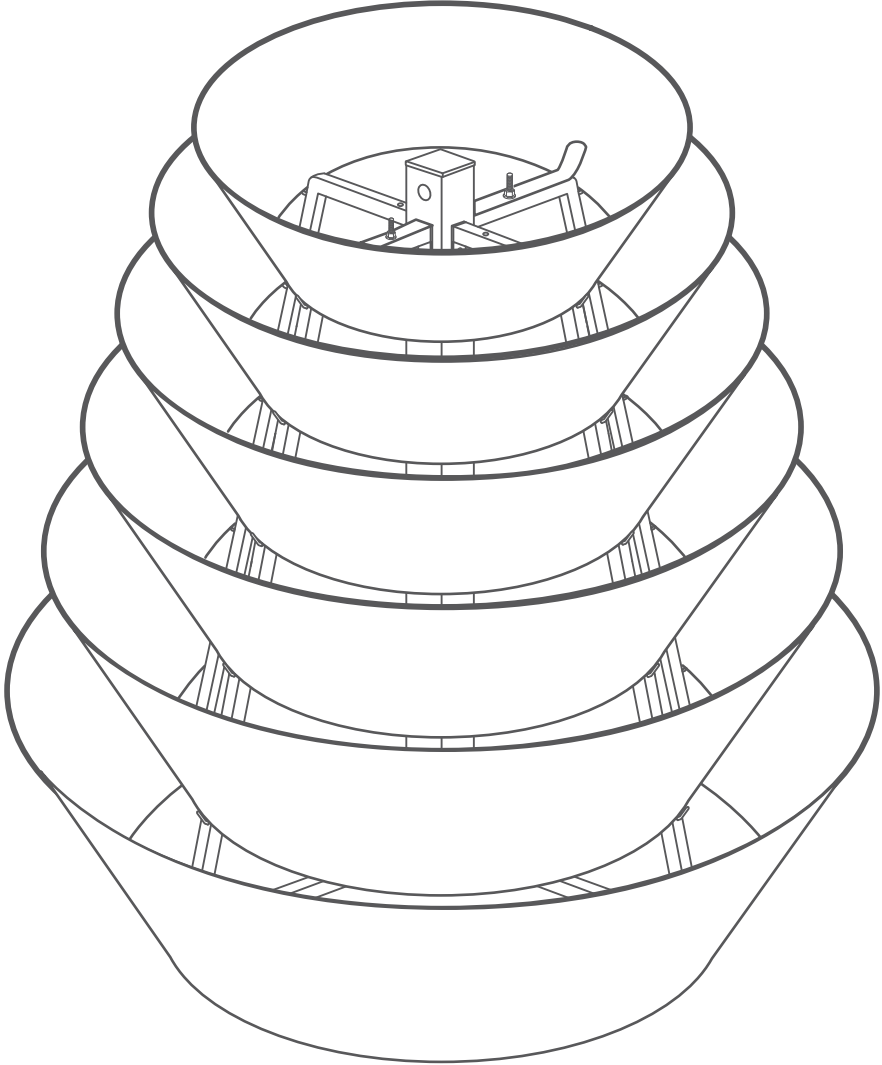


3



Put the next rings on the mast construction, one by one - from the biggest to the smallest

4



Ready!

