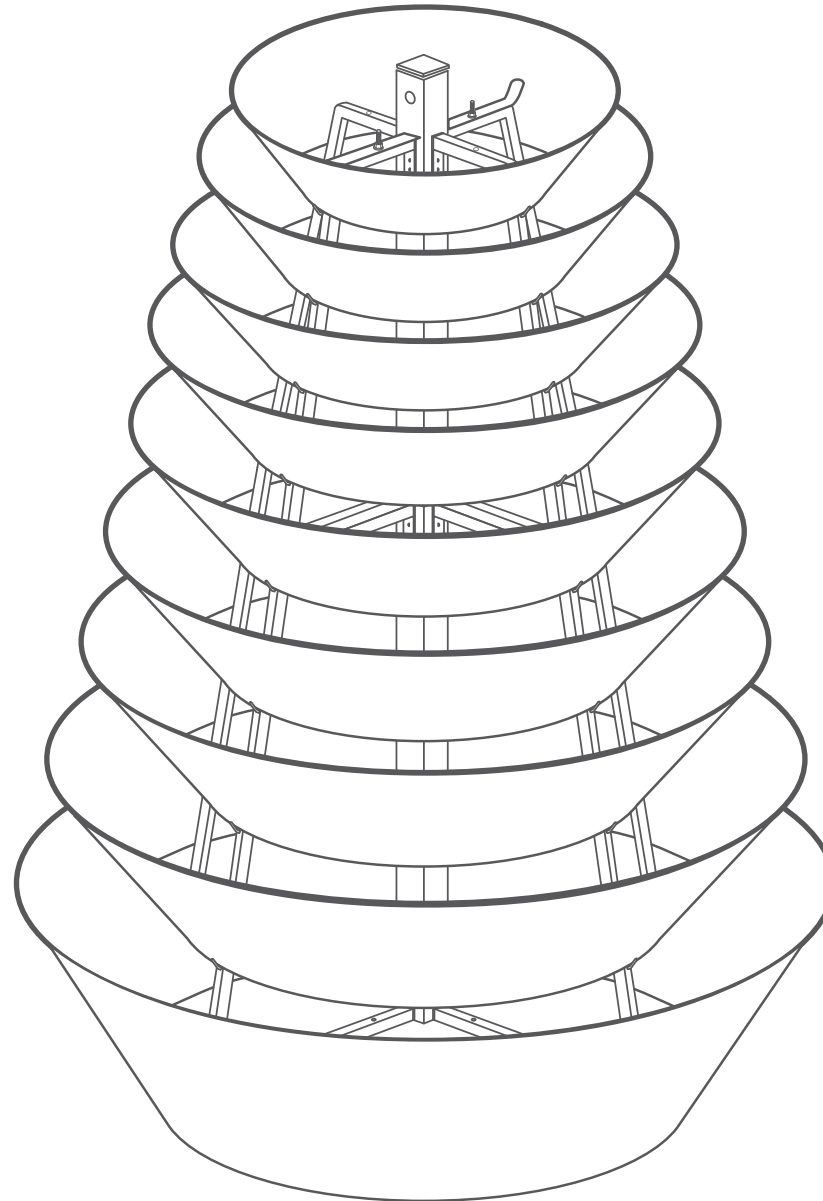


# ASSEMBLY INSTRUCTIONS

## FLOWER TOWER

# H2000

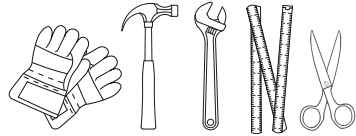


tel: +48 68 455 62 69 | info@terra-uk.eu  
[www.terra-uk.eu](http://www.terra-uk.eu)

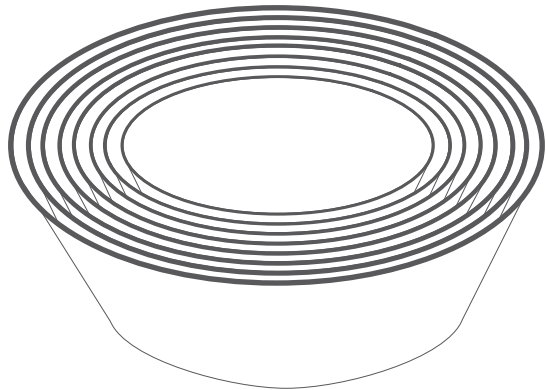
**Terra**<sup>®</sup>  
Group



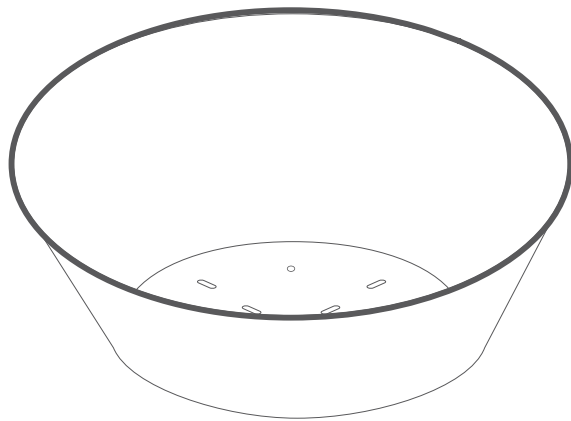
### USEFUL TOOLS



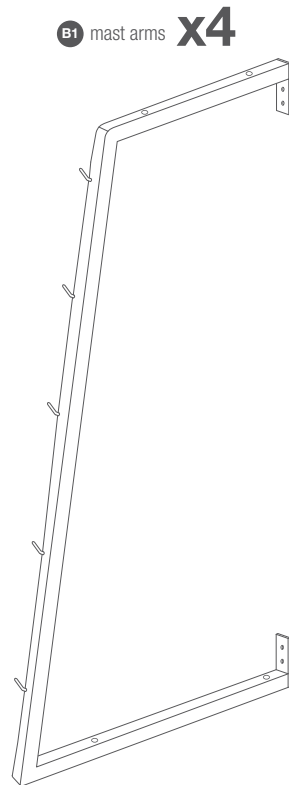
**TIP:** Assembly of the construction should be carried out by 2 persons.



**C3** upper rings with a rubber gasket **x8**

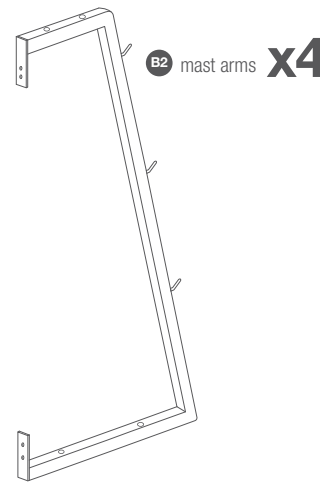
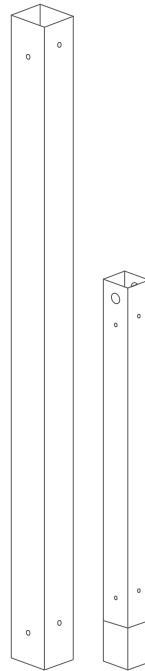


**C1** bottom ring with a rubber gasket **x1**

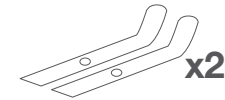


**B1** mast arms **x4**

**A1** **A2** central mast **x2**



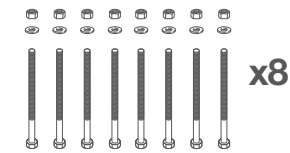
**B2** mast arms **x4**



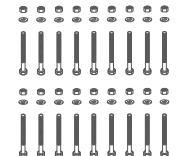
**B3** safety flat bar **x2**



**A3** mast cover **x1**

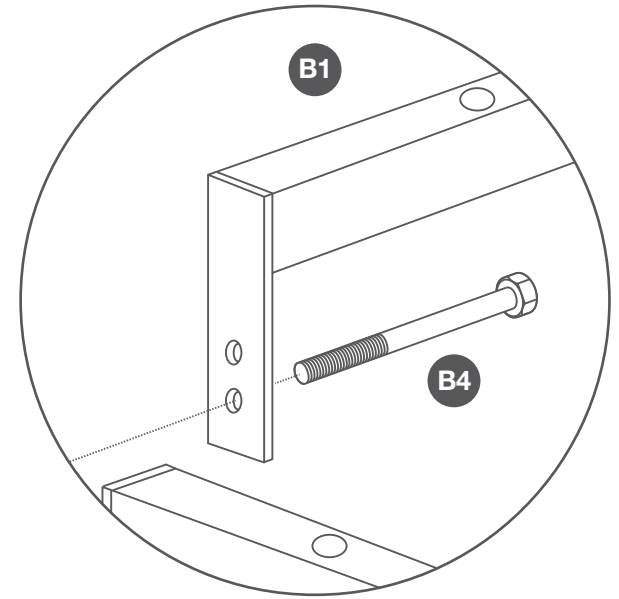
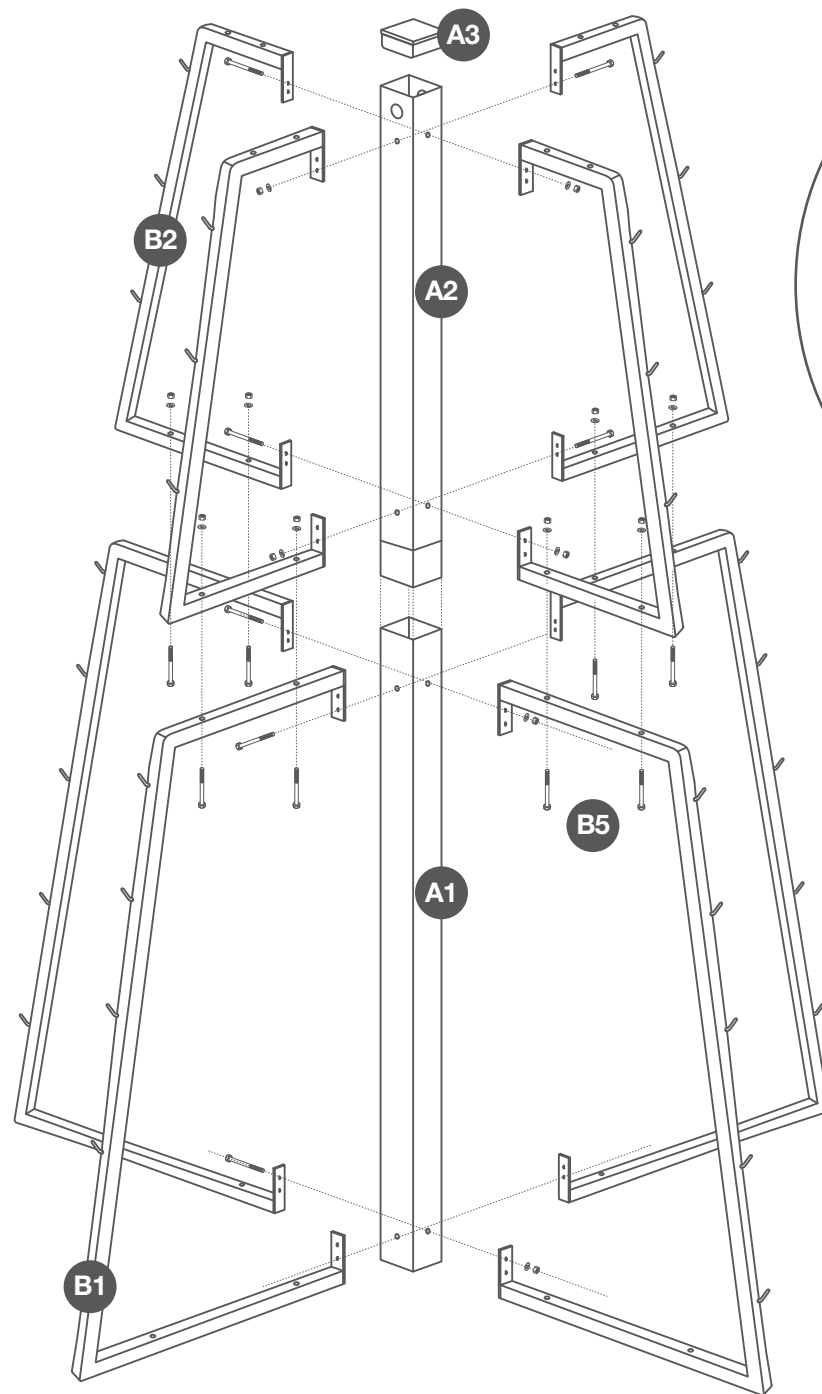


**B4** screw 10x90 **x8**

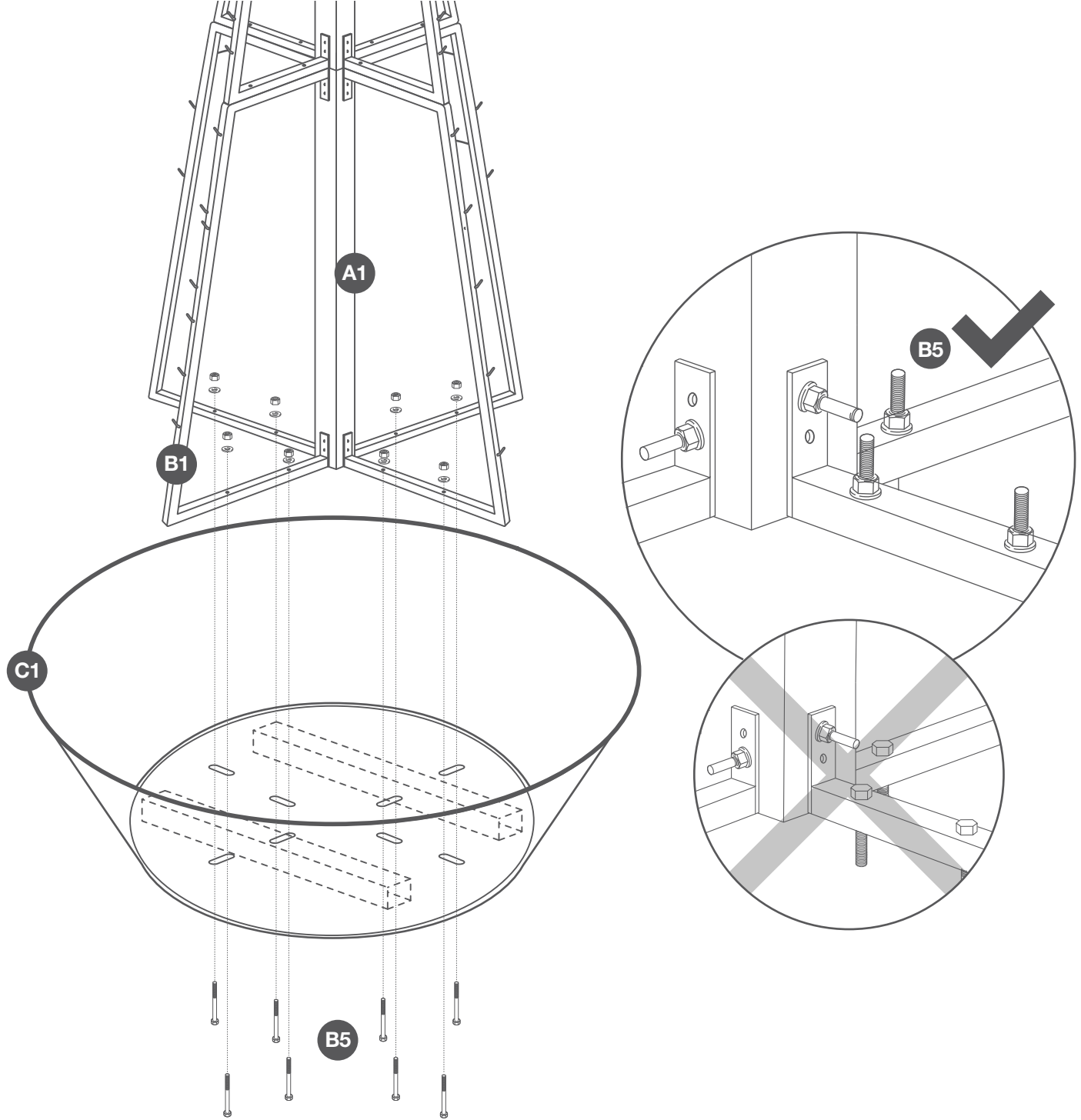


**B5** screw 10x50 **x18**

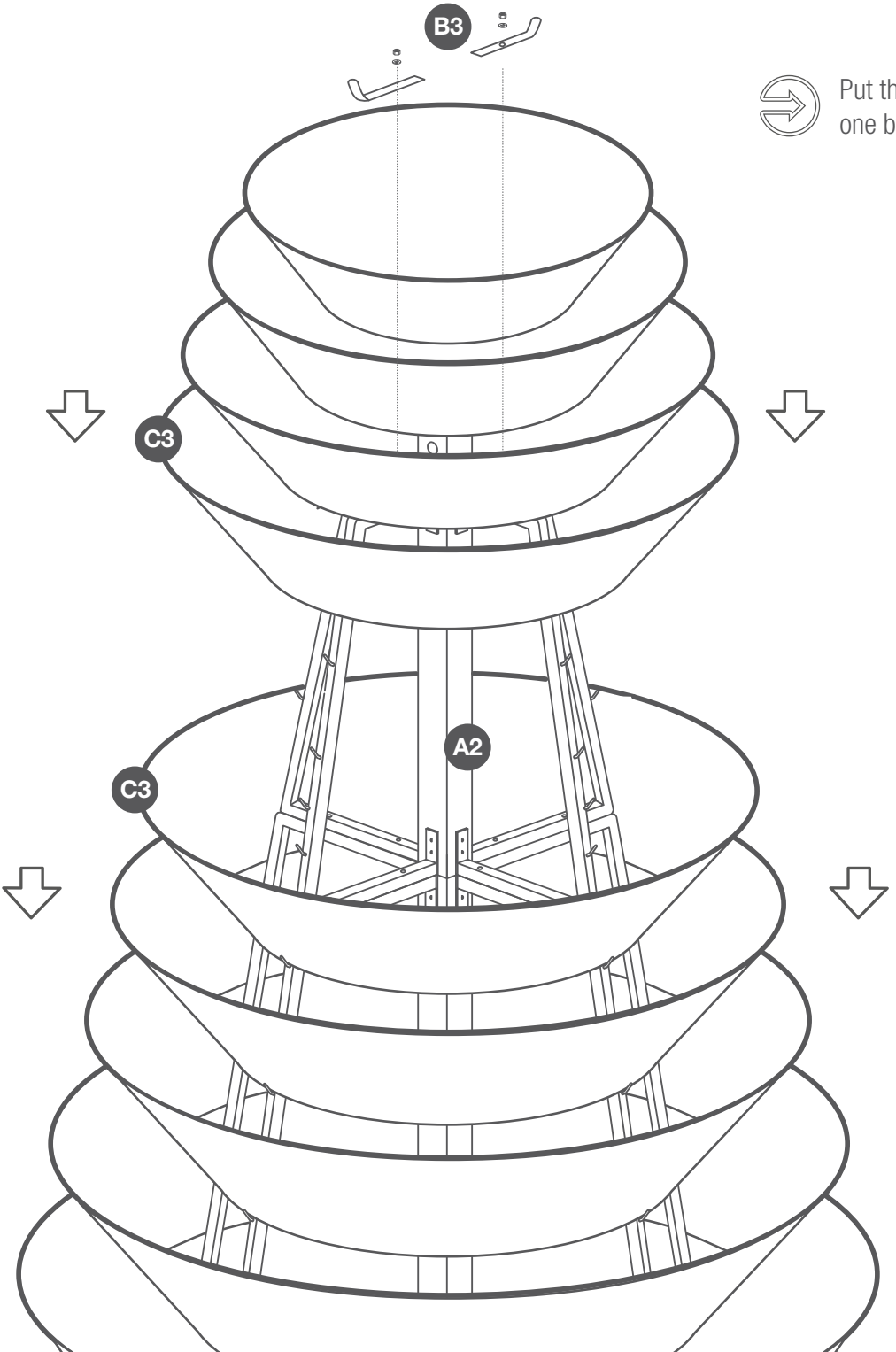
1




2

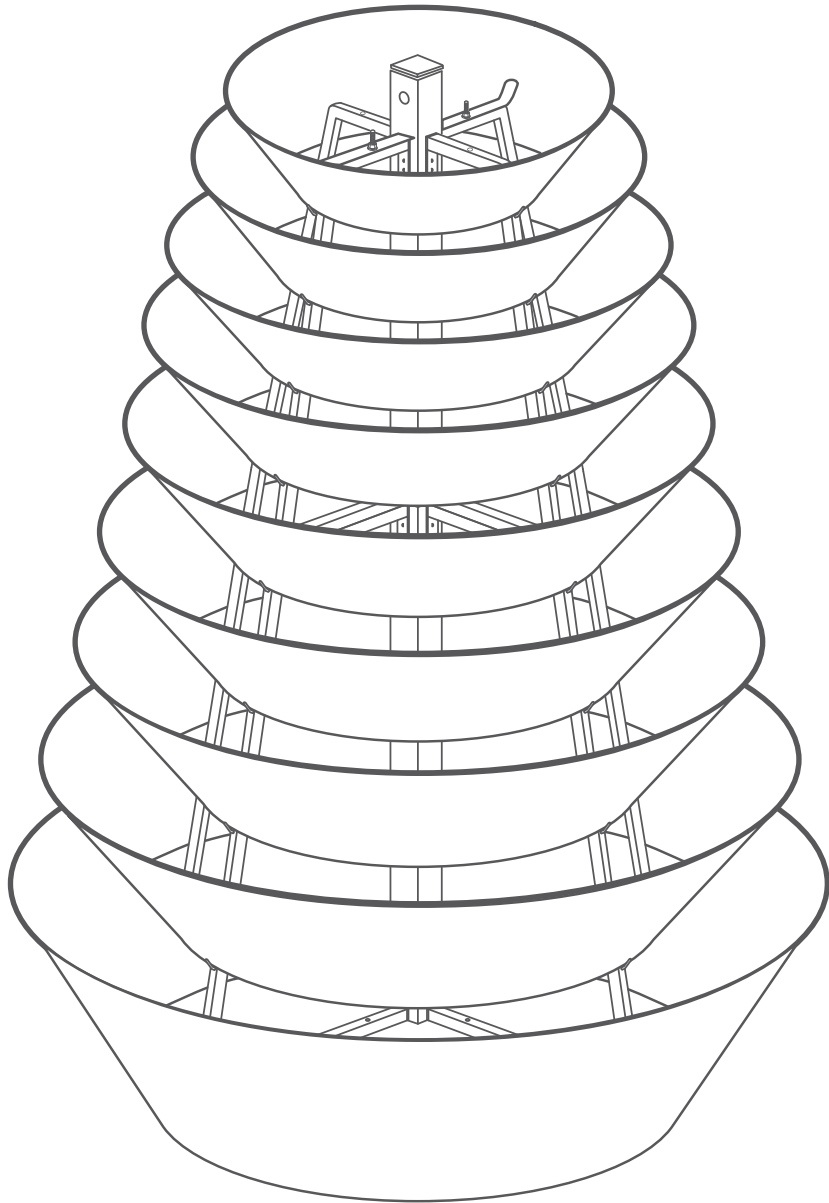


3

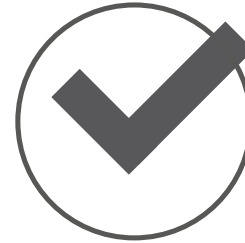


 Put the next rings on the mast construction, one by one - from the biggest to the smallest

4



Ready!



**Terra**<sup>®</sup>  
Group