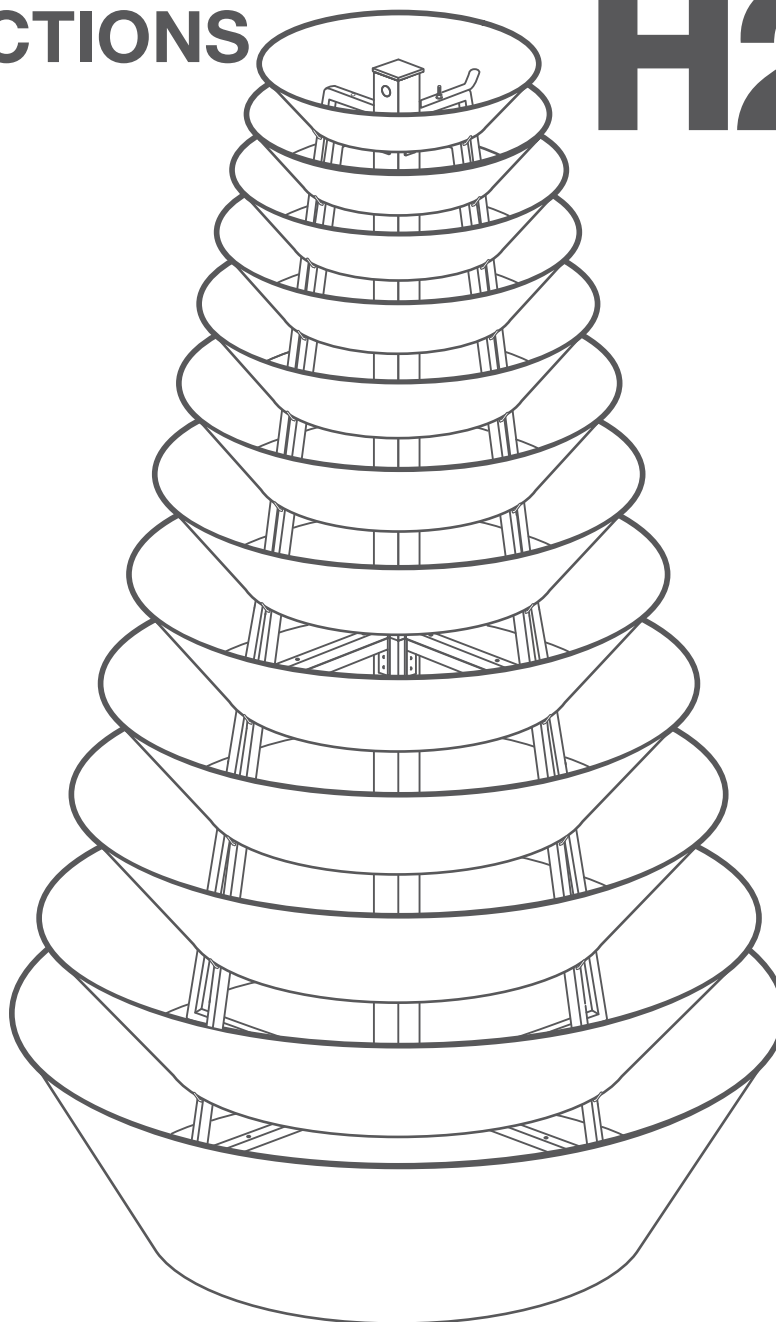


ASSEMBLY INSTRUCTIONS

FLOWER TOWER

H2400



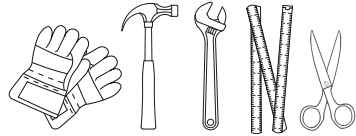
tel: +48 68 455 62 69 | info@terra-uk.eu

www.terra-uk.eu

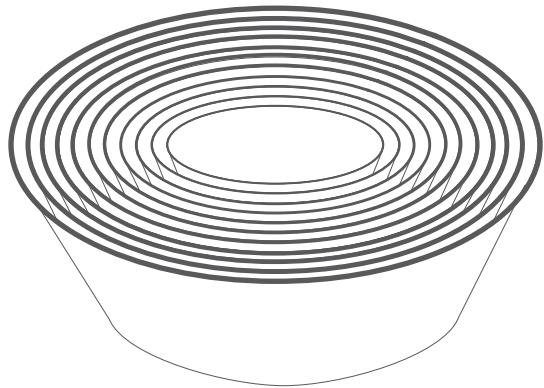
Terra[®]
Group



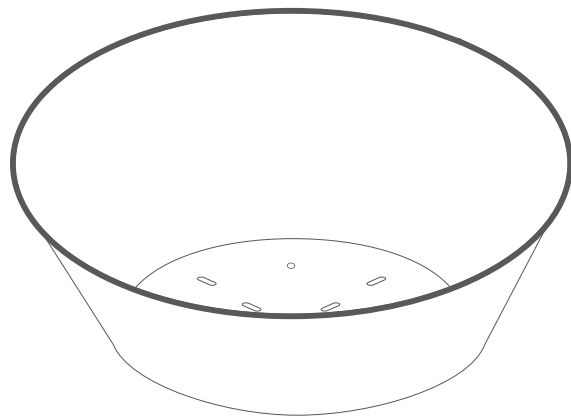
USEFUL TOOLS



TIP: Assembly of the construction should be carried out by 2 persons.

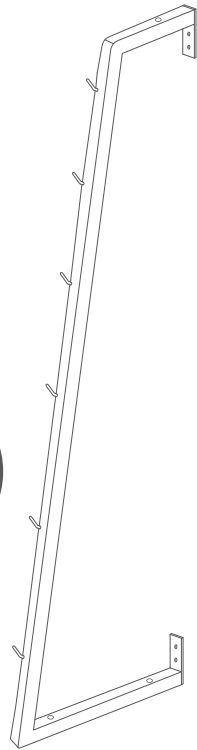


C3 upper rings with a rubber gasket **x11**

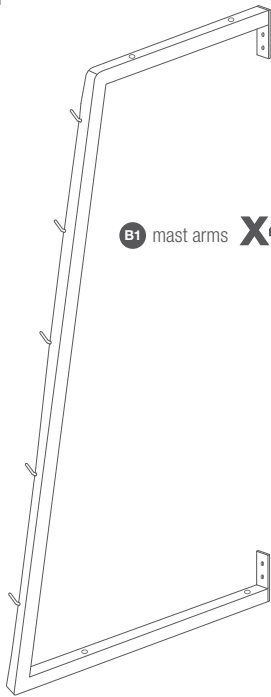


C1 bottom ring with a rubber gasket **x1**

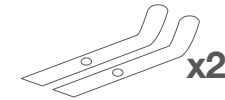
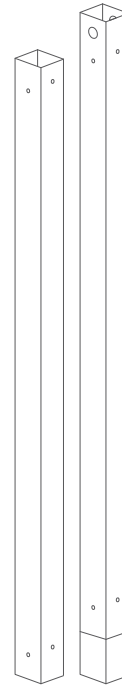
B2 mast arms **x4**



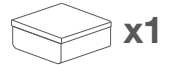
B1 mast arms **x4**



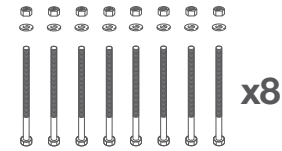
A1 **A2** central mast **x2**



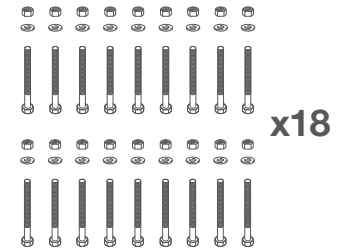
B3 safety flat bar **x2**



A3 mast cover **x1**

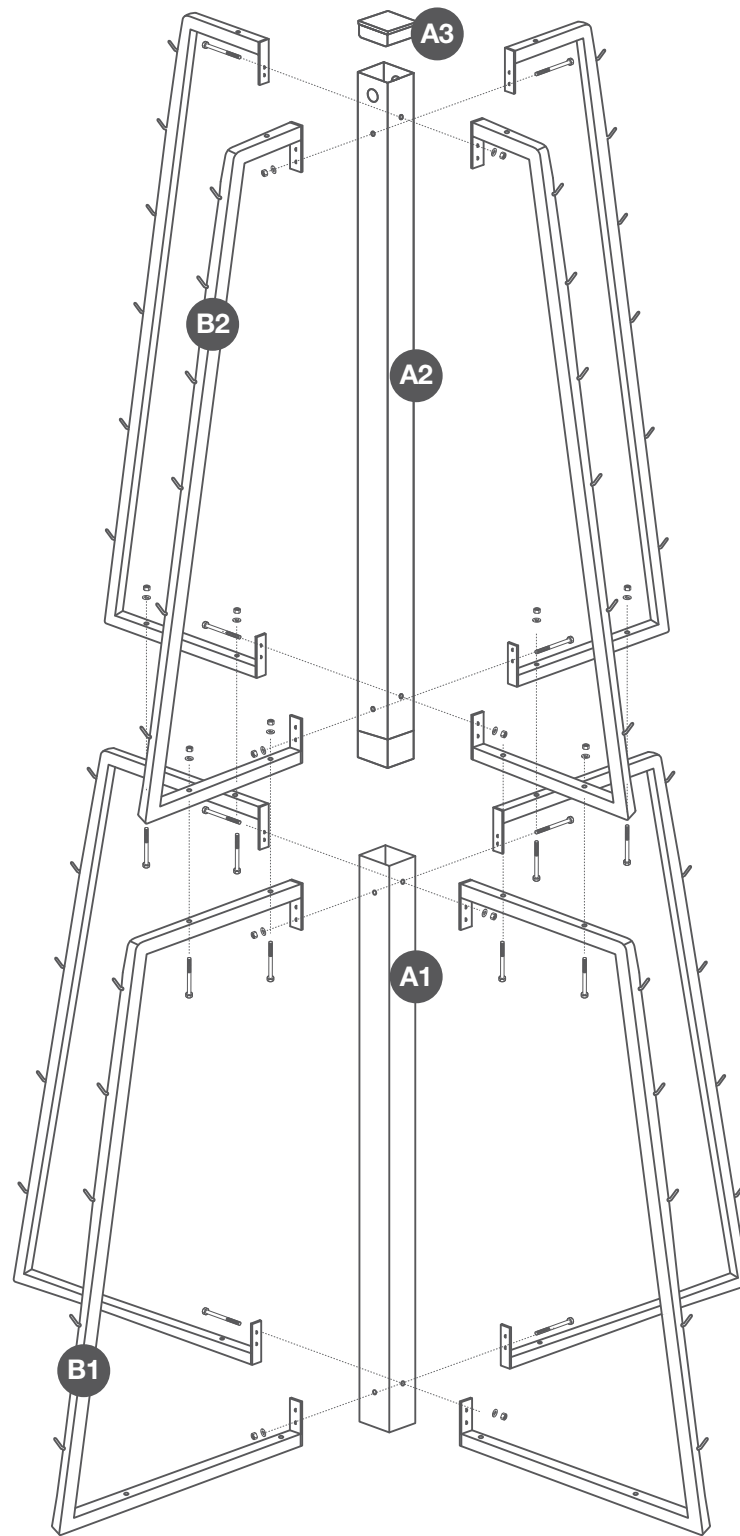


B4 screw 10x90 **x8**

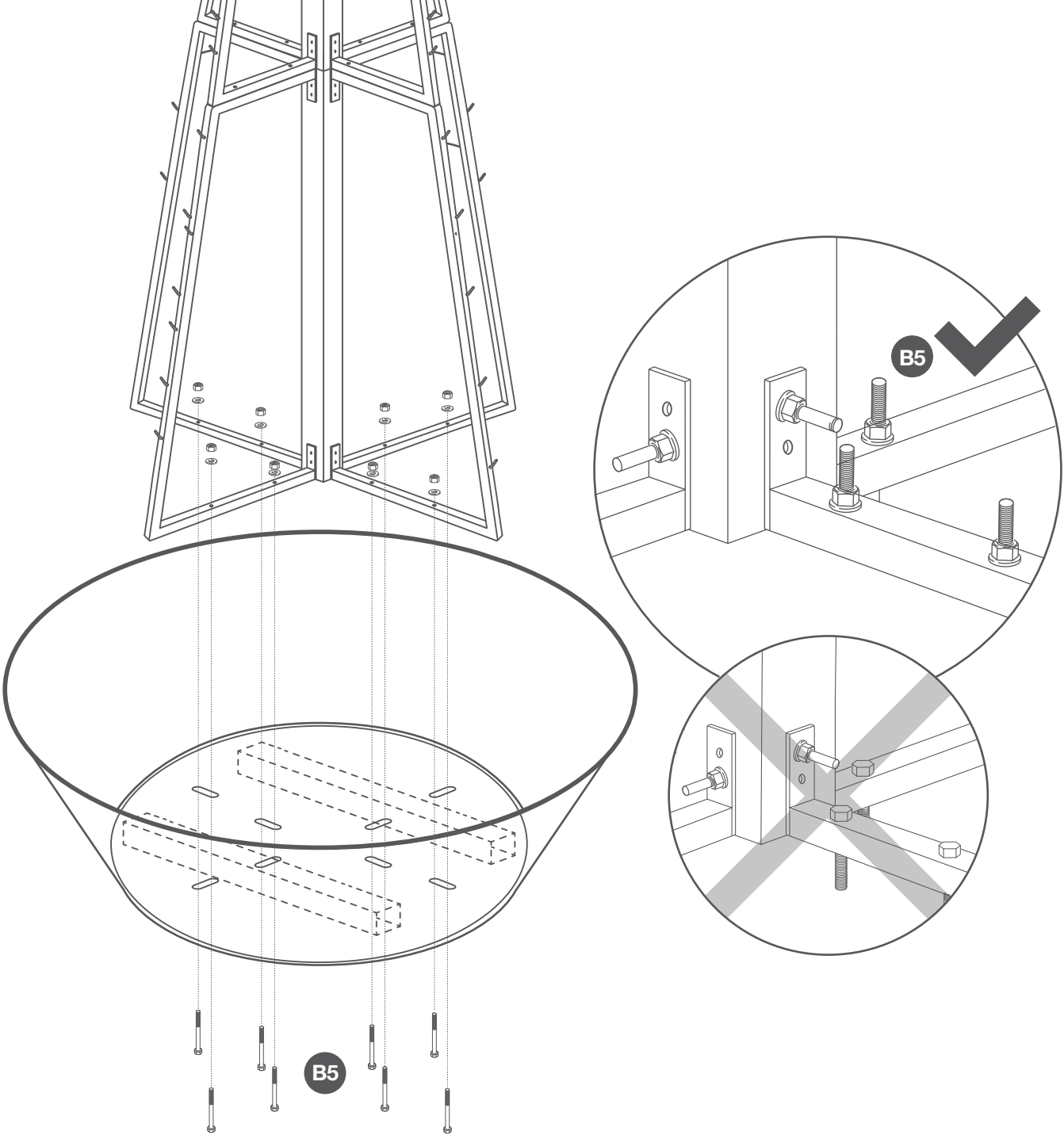


B5 screw 10x50 **x18**

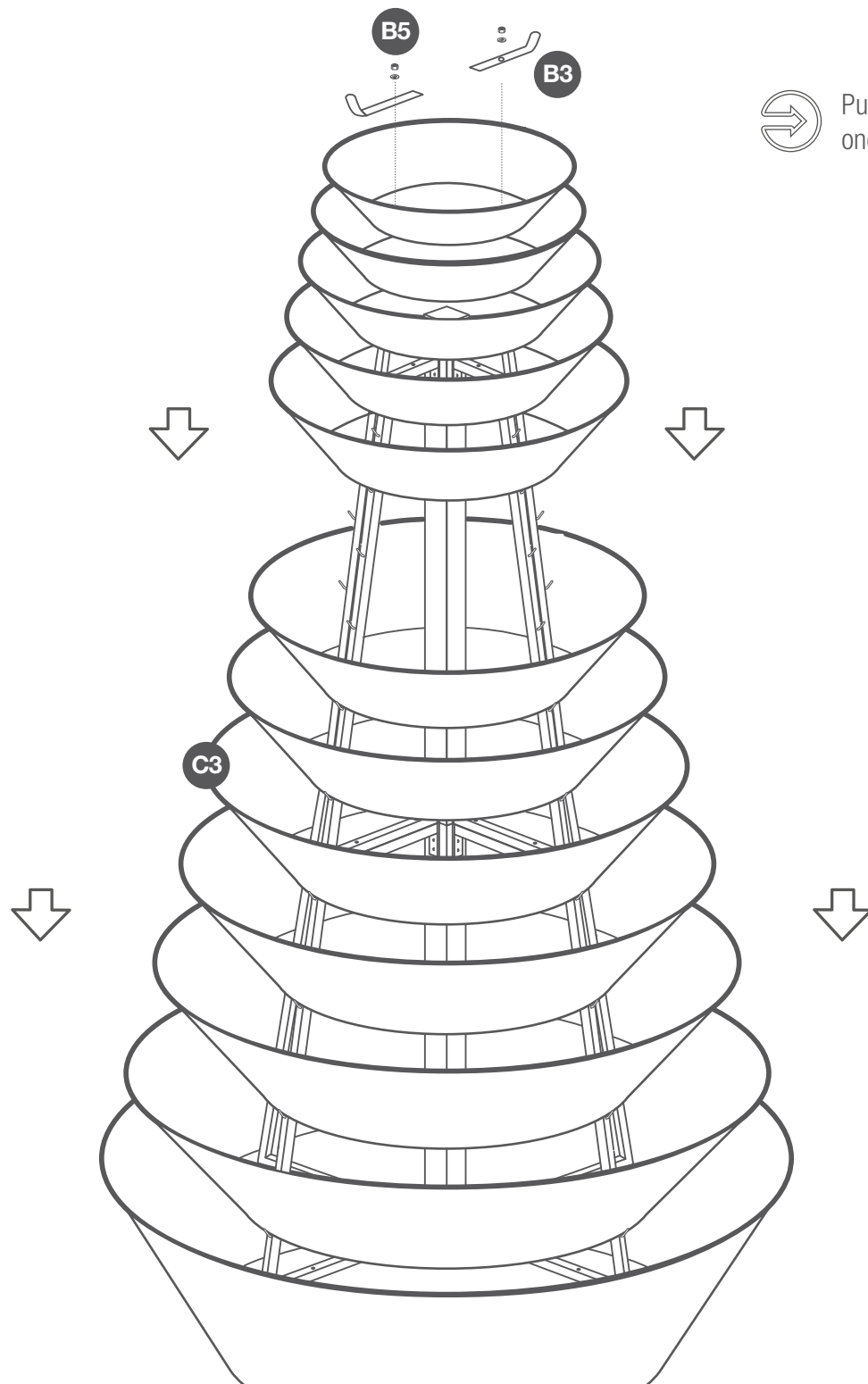
1



2

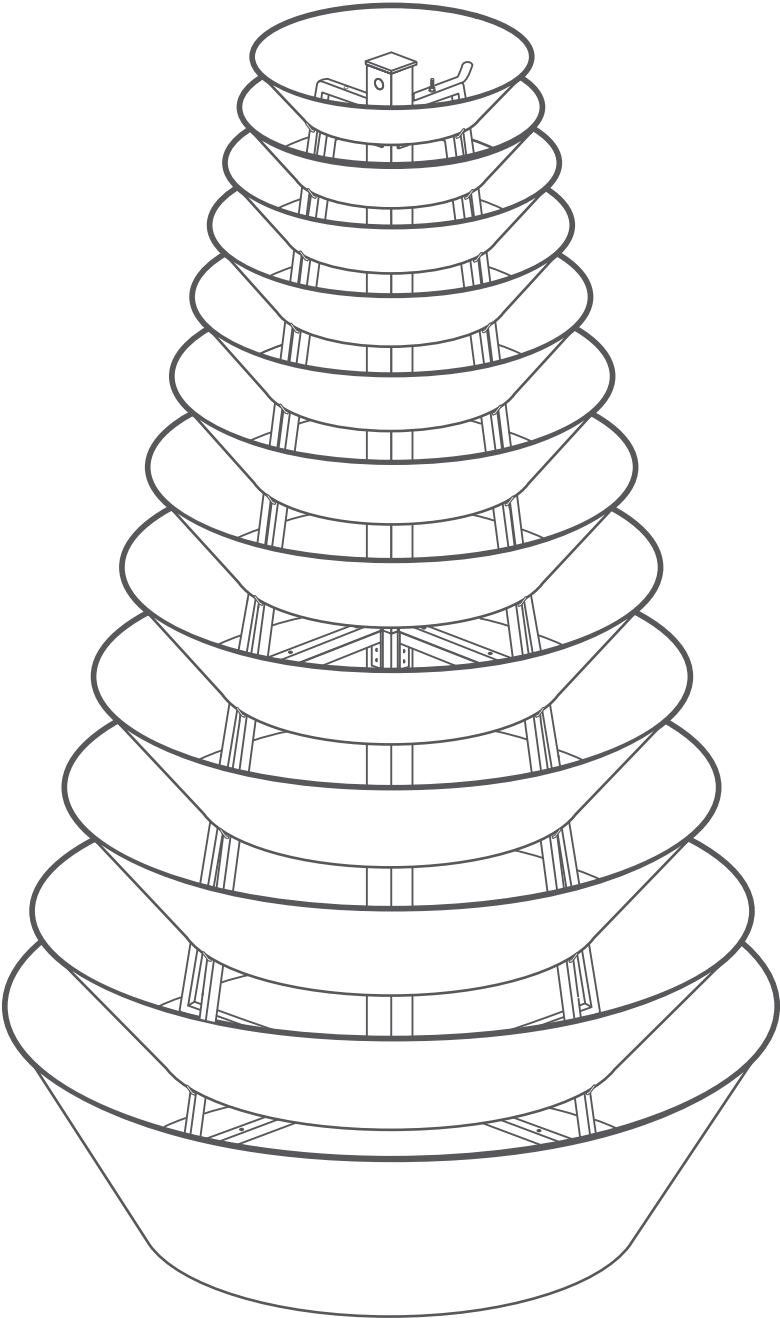


3



Put the next rings on the mast construction, one by one - from the biggest to the smallest

4



Ready!

