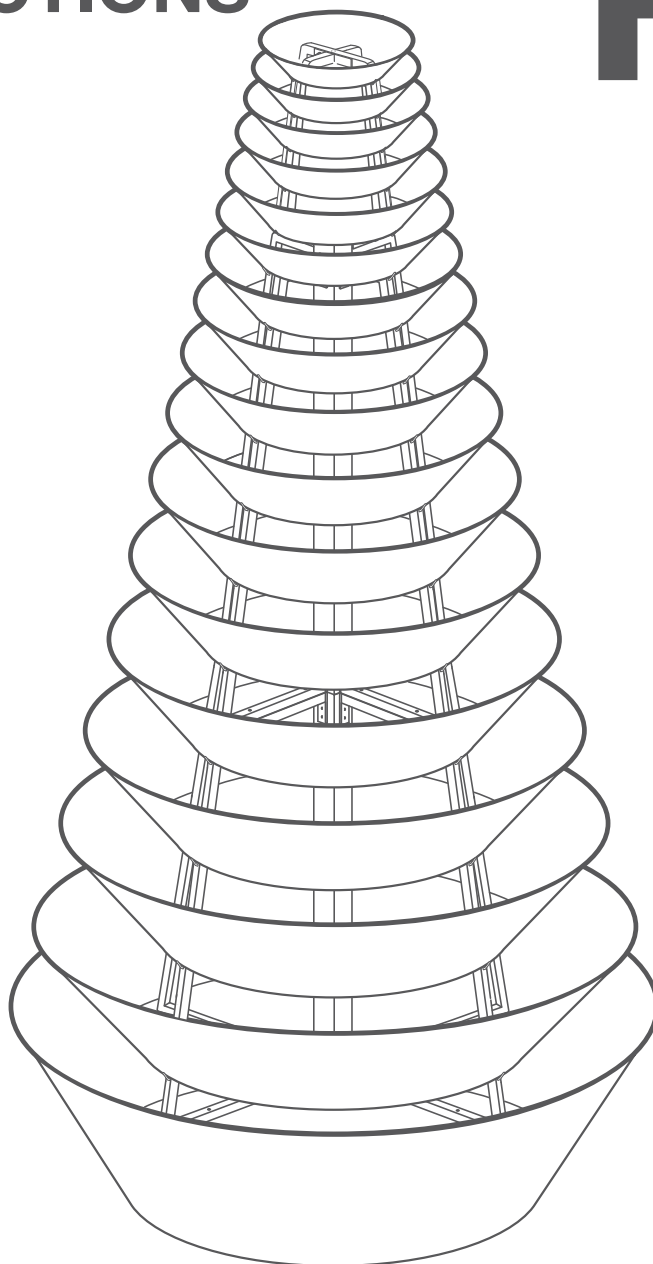


ASSEMBLY INSTRUCTIONS

FLOWER TOWER

H3400

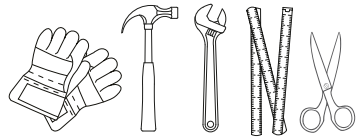


tel: +48 68 455 62 69 | info@terra-uk.eu
www.terra-uk.eu

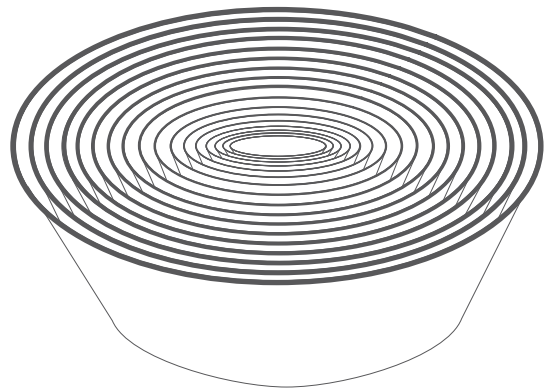
Terra[®]
Group



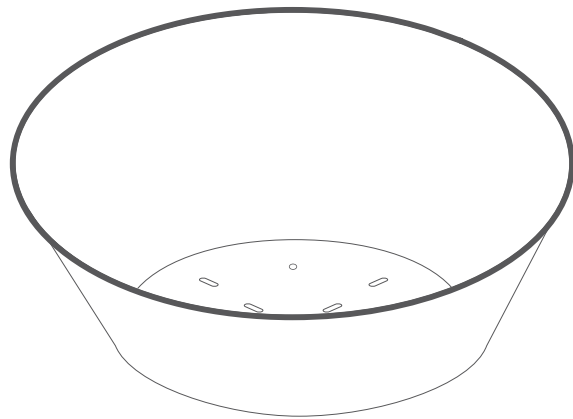
USEFUL TOOLS



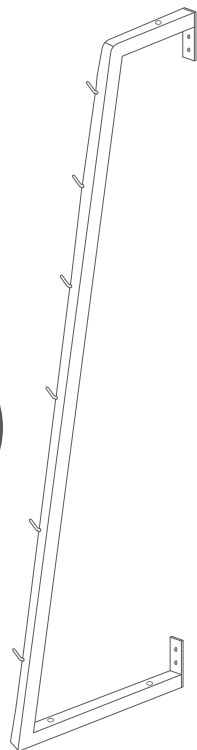
TIP: Assembly of the construction should be carried out by 2 persons.



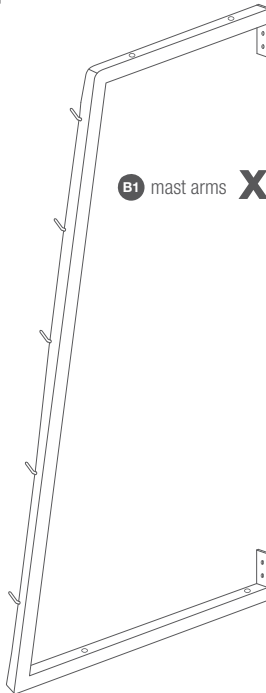
C3 upper rings with a rubber gasket **x17**



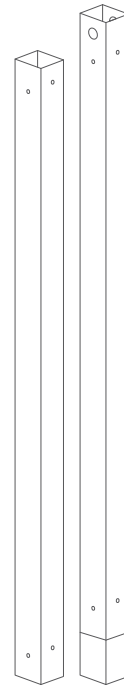
C1 bottom ring with a rubber gasket **x1**



B2 mast arms **x4**

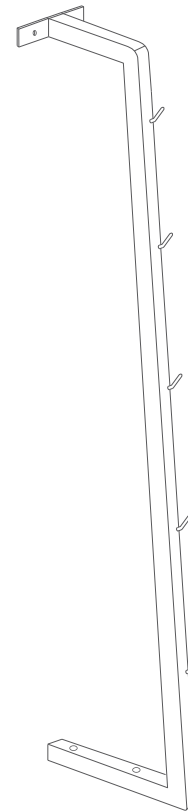


B1 mast arms **x4**

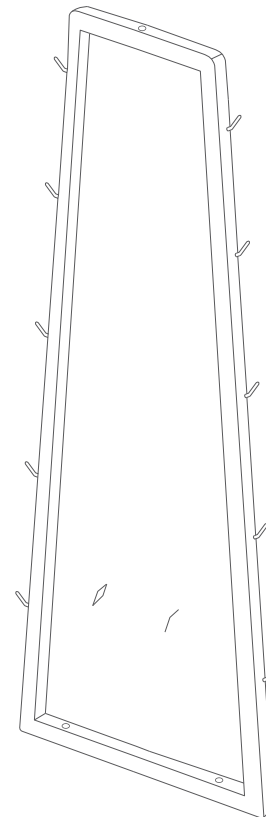


A1 **A2** central mast **x2**

B1 mast arms **x2**



B2 mast arms **x1**



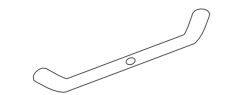
B5 screw 10x50 **x18**



B4 screw 10x90 **x8**

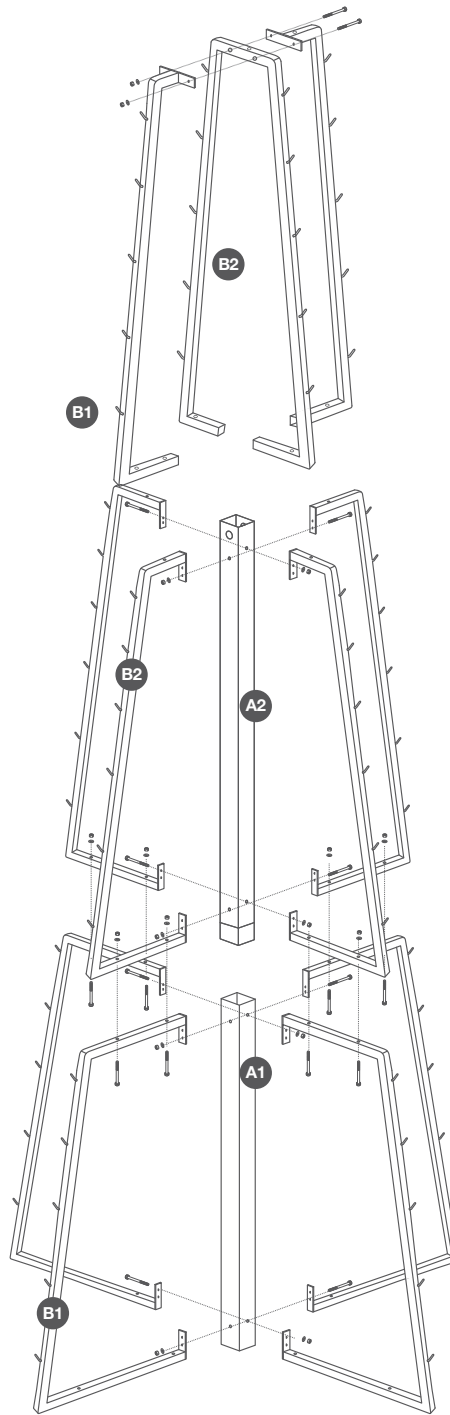


C5 screw 8x50 **x9**

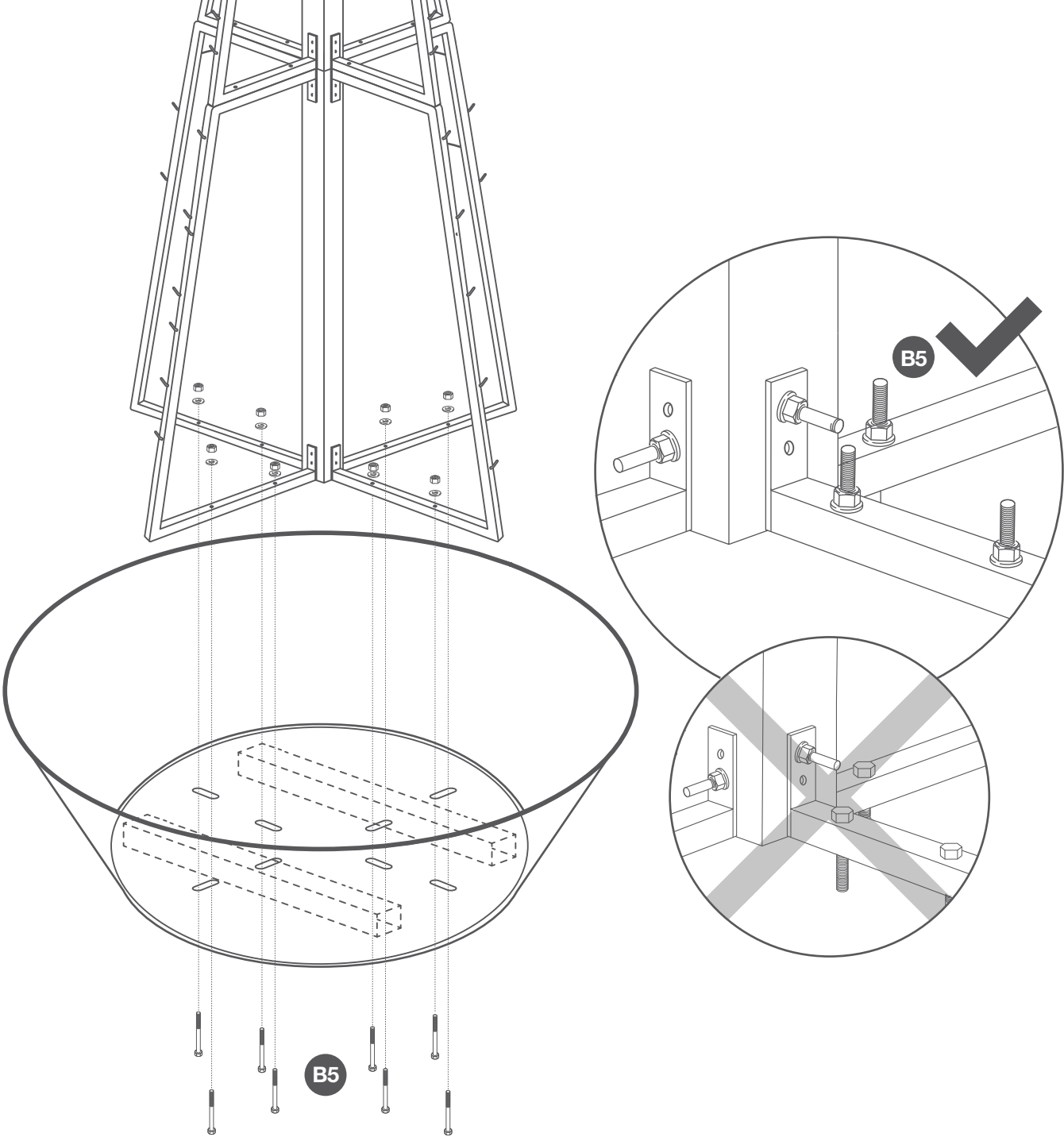


B3 safety flat bar

1



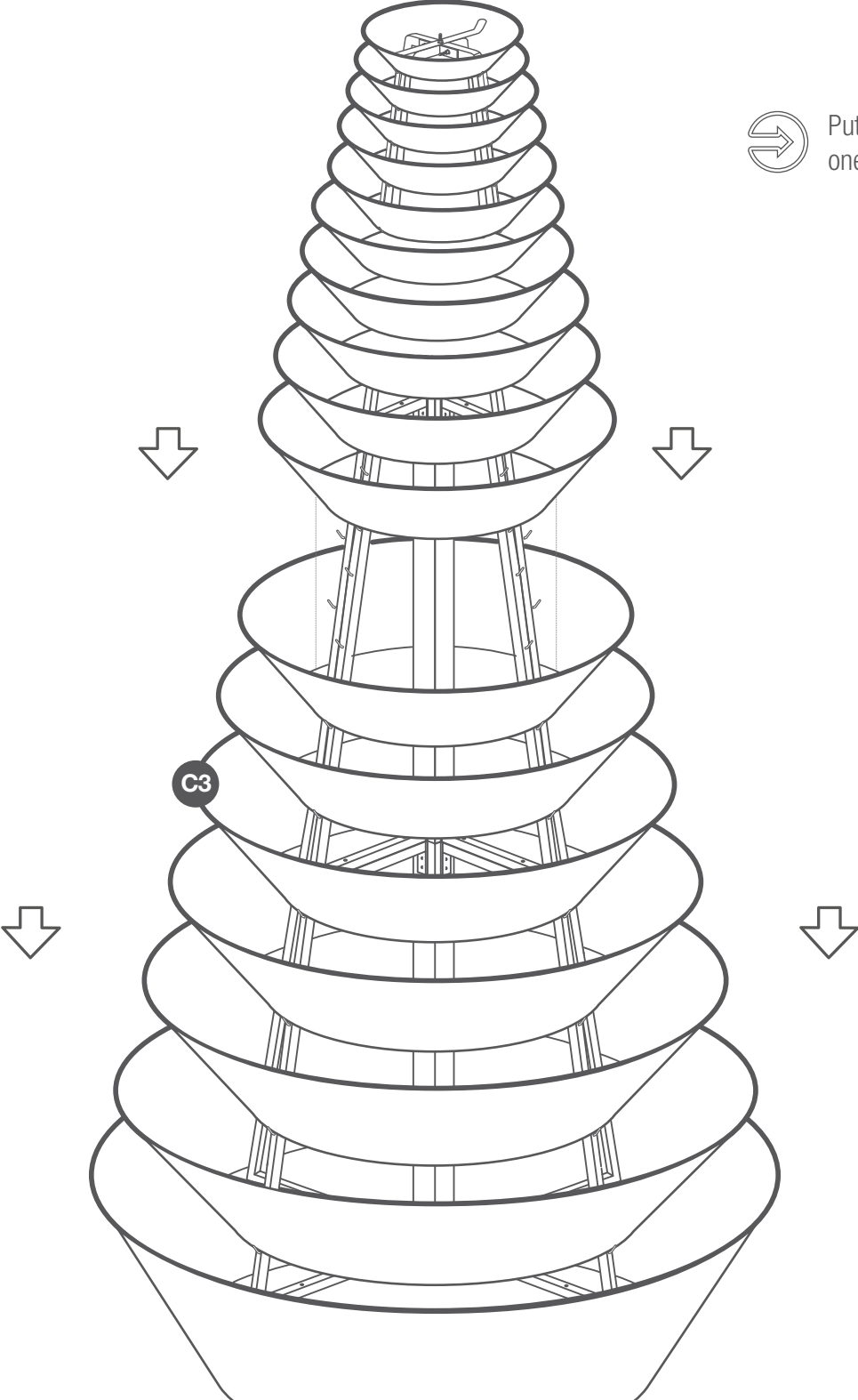
2



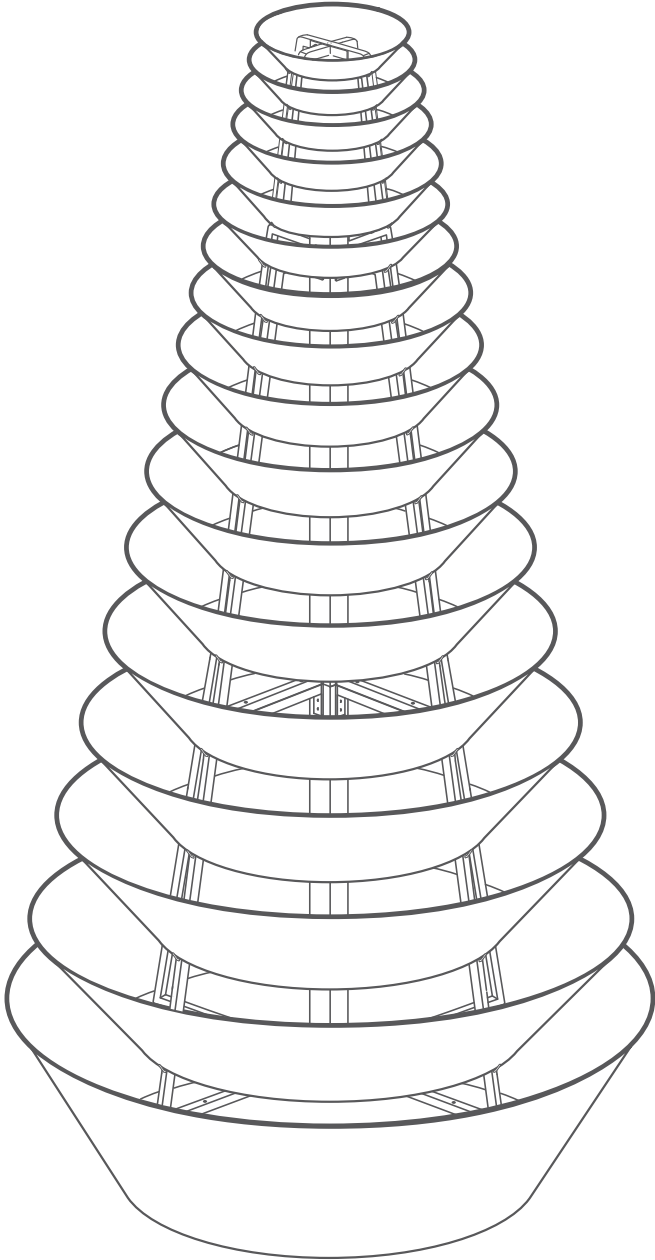
3



Put the next rings on the mast construction, one by one - from the biggest to the smallest



4



Ready!

