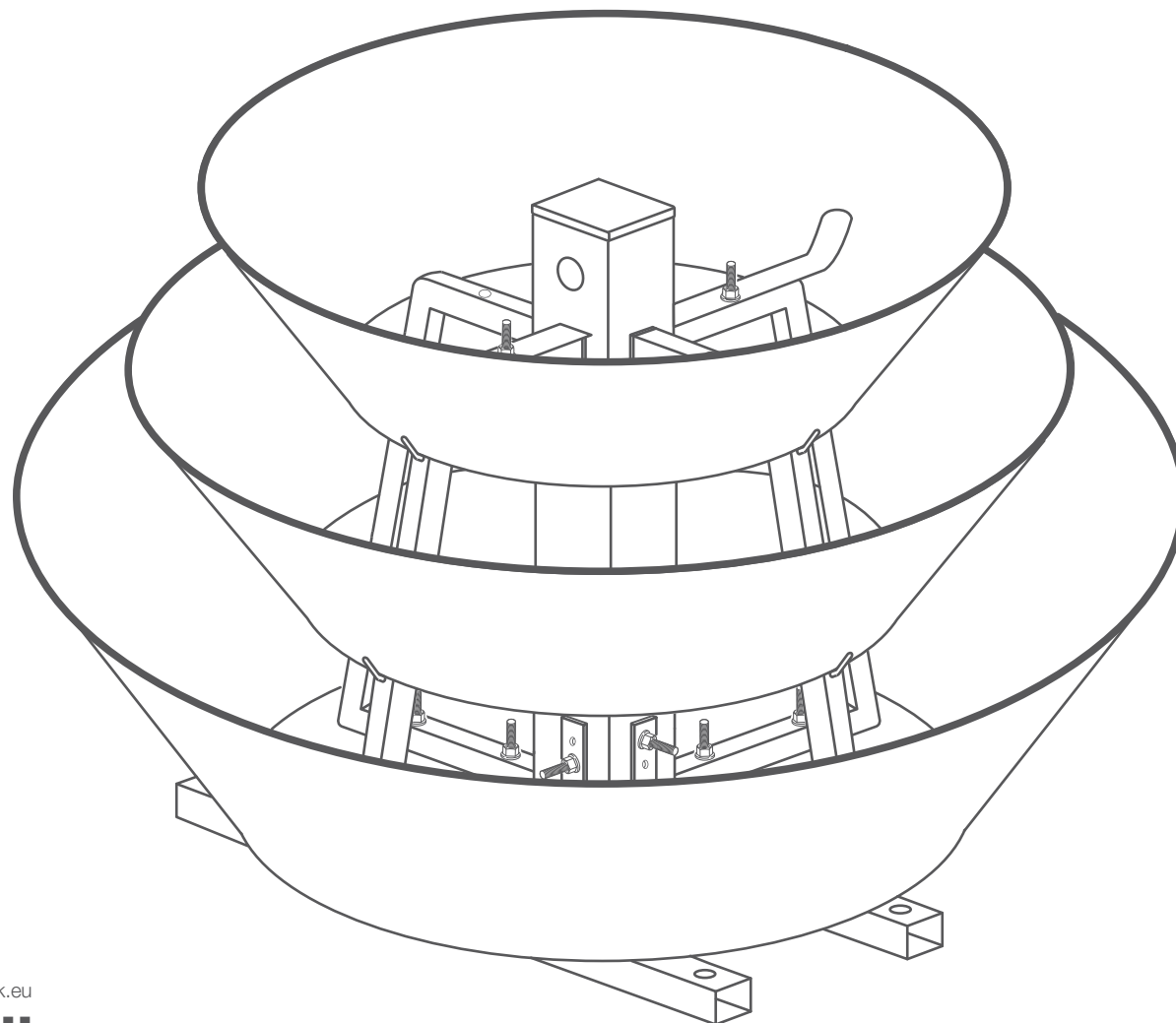


ASSEMBLY INSTRUCTIONS

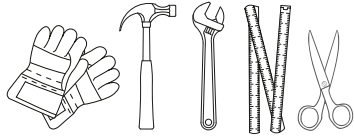
FLOWER TOWER

H700

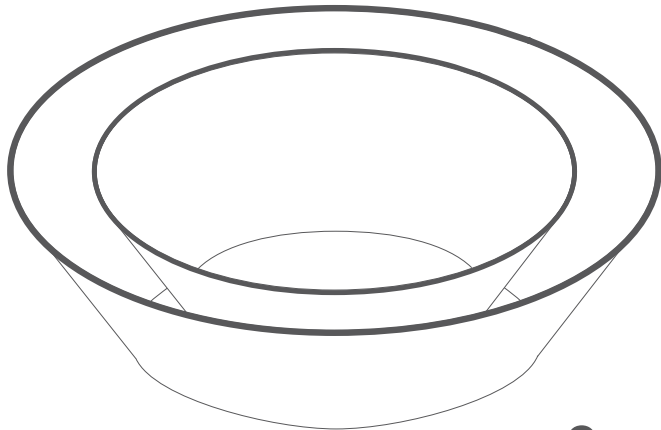




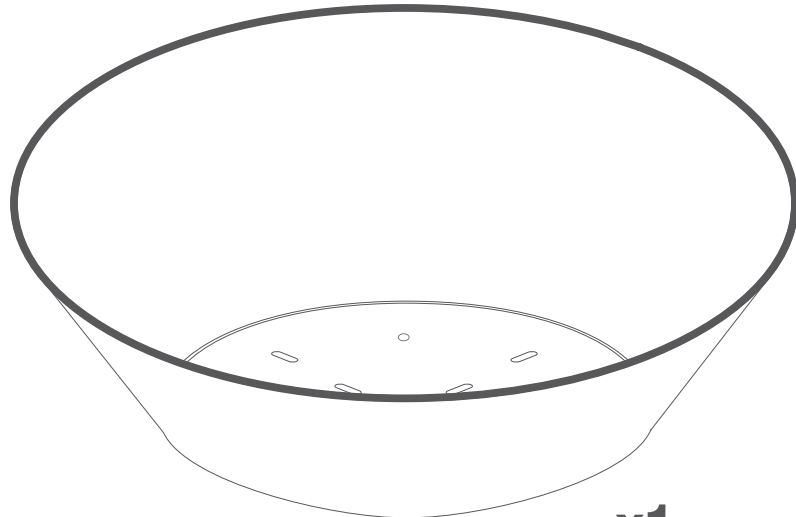
USEFUL TOOLS



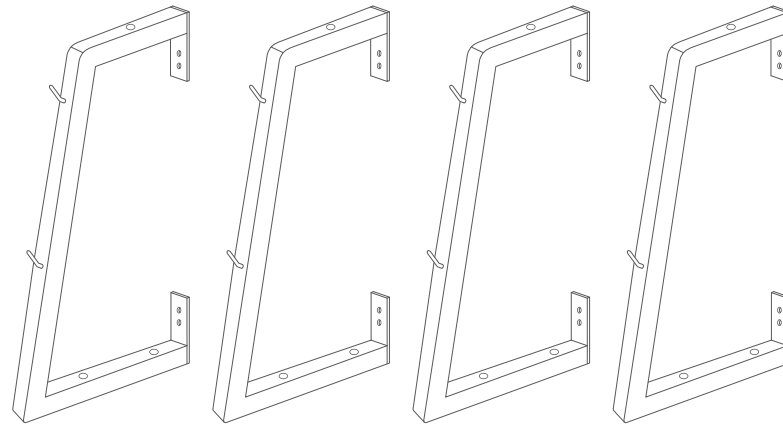
TIP: Assembly of the construction should be carried out by 2 persons.



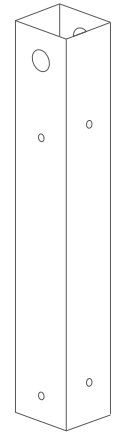
C3 upper rings with a rubber gasket **x2**



C1 bottom ring with a rubber gasket **x1**

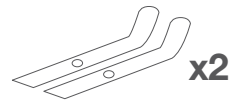


B1 mast arms **x4**



A1 central mast

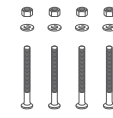
x1



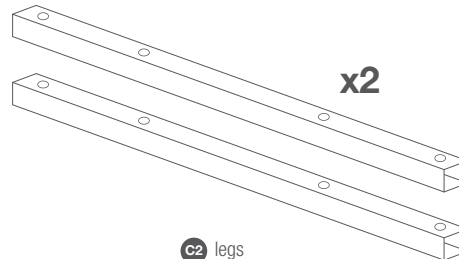
B3 safety flat bar **x2**



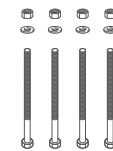
A3 mast cover **x1**



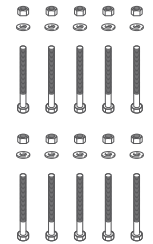
C4 conical screw 8x50 **x4**



C2 legs **x2**



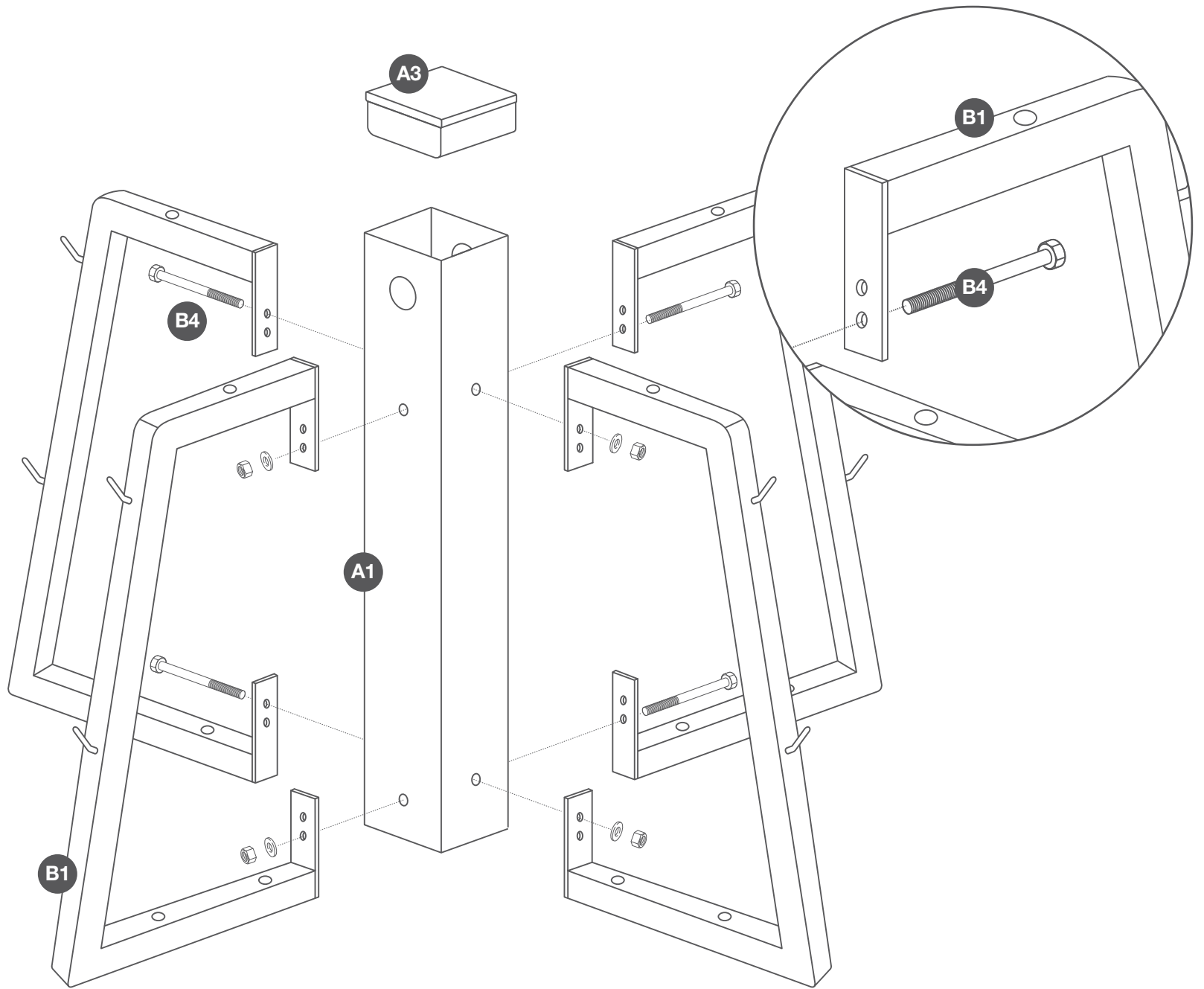
B4 screw 10x90 **x4**



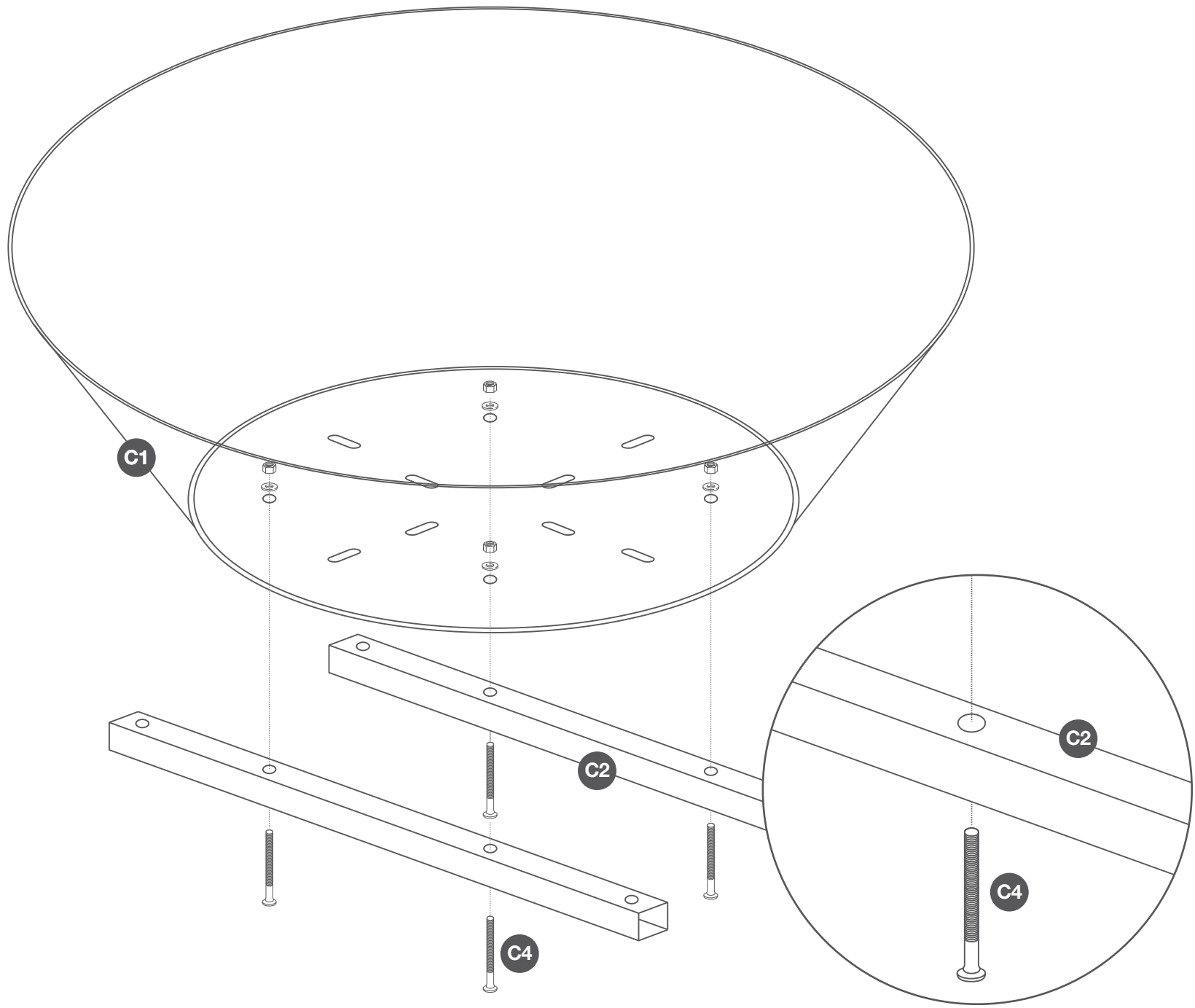
B5 screw 10x50 **x10**

x10

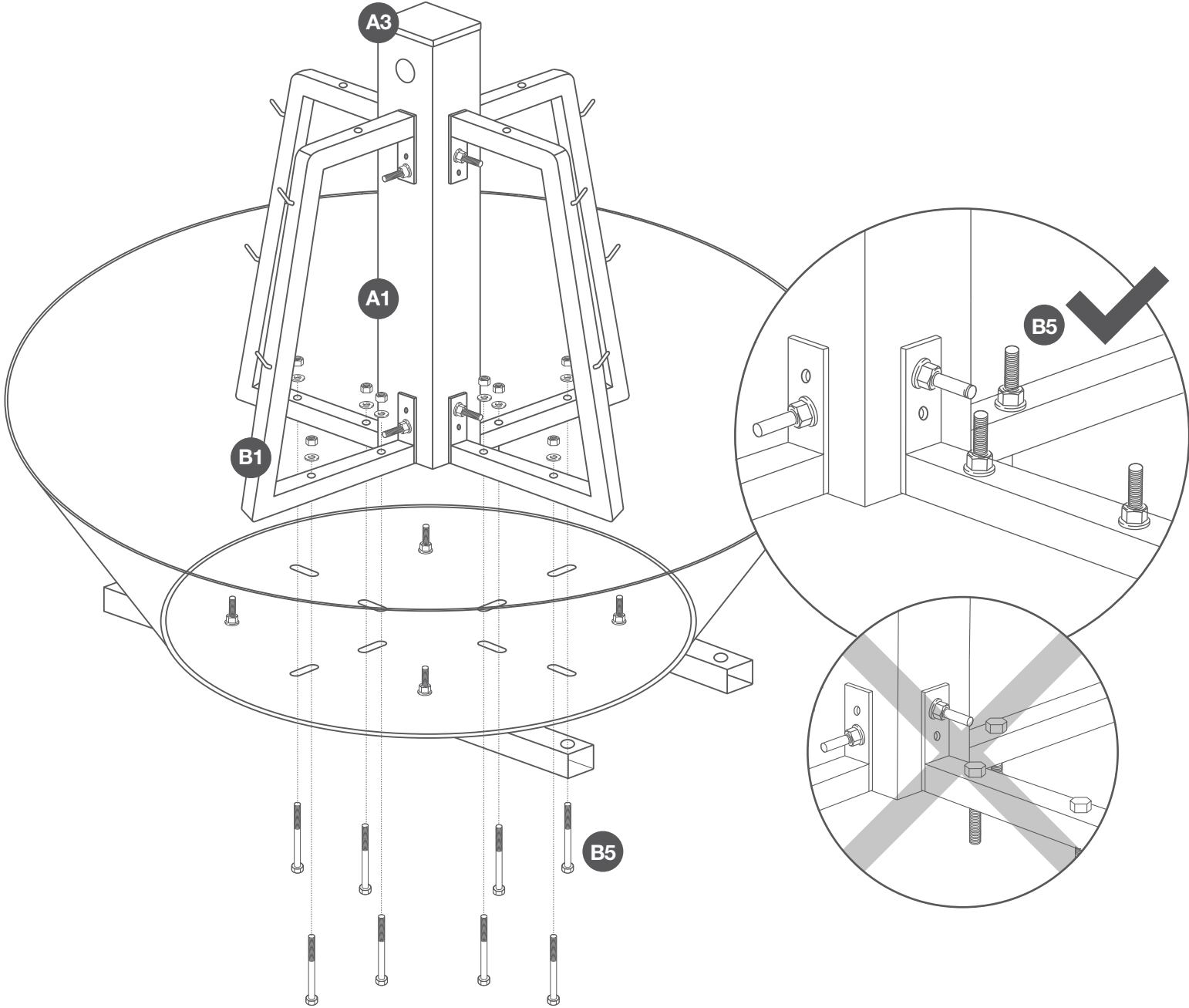
1



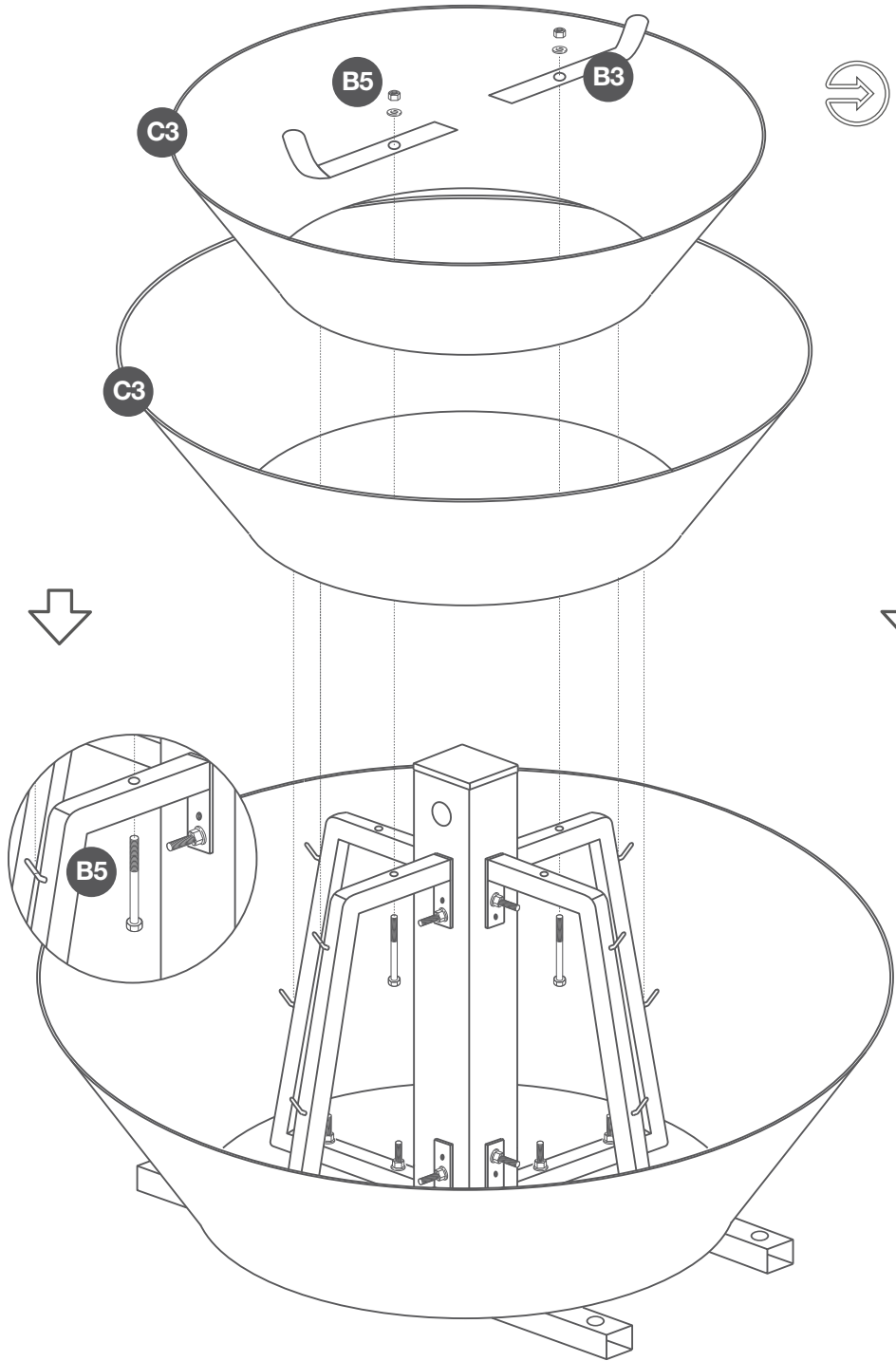
2



3



4



Put the next rings on the mast construction, one by one - from the biggest to the smallest

4

Ready!

