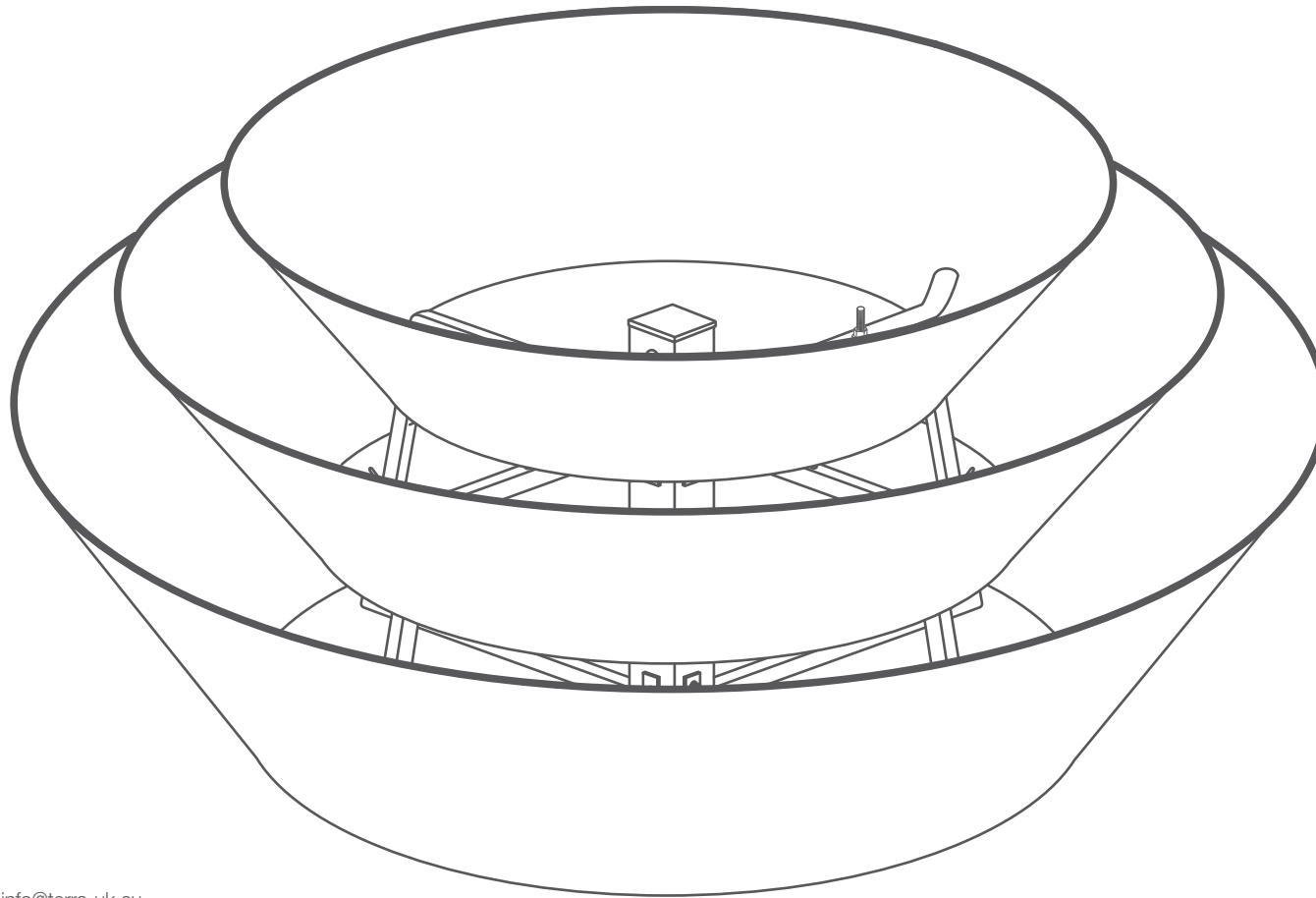


ASSEMBLY INSTRUCTIONS

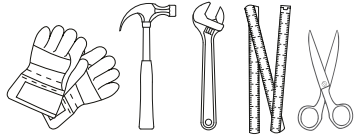
FLOWER TOWER

H750

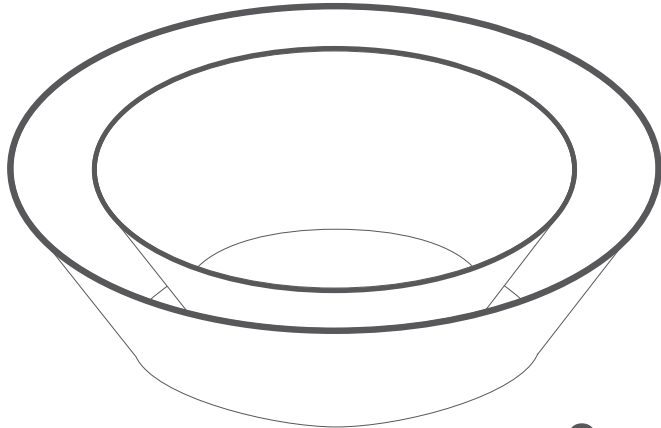




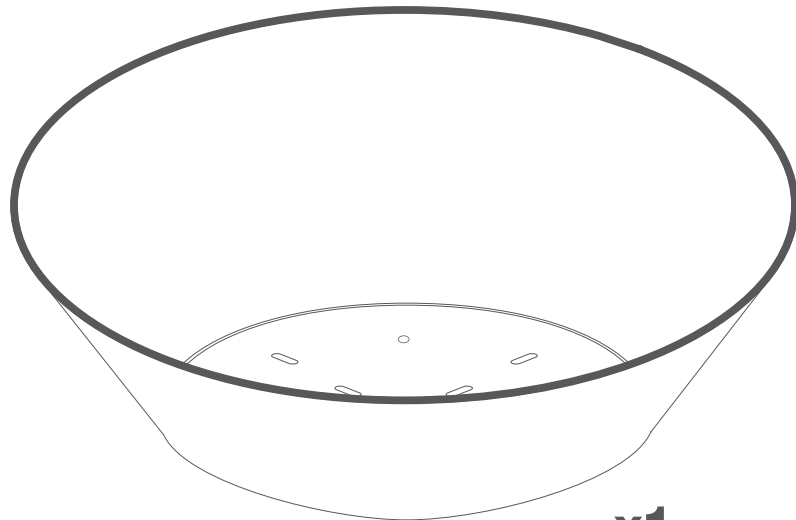
USEFUL TOOLS



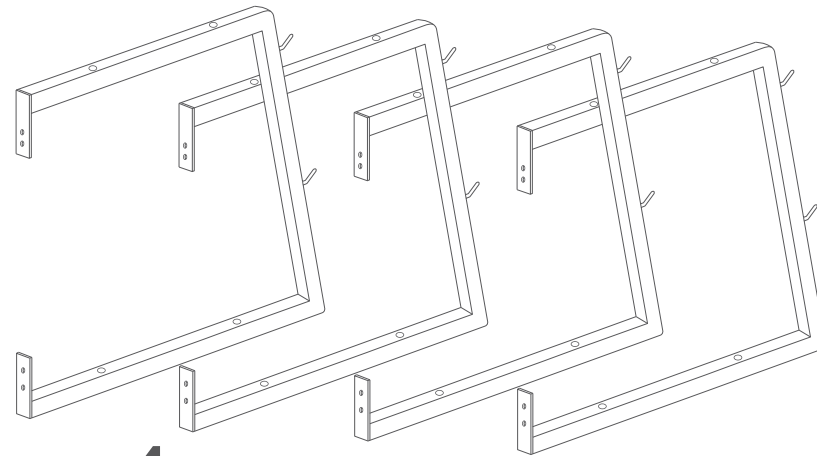
TIP: Assembly of the construction should be carried out by 2 persons.



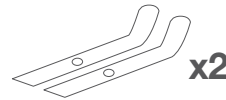
C3 upper rings with a rubber gasket **x2**



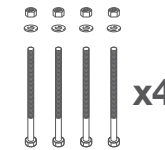
C1 bottom ring with a rubber gasket **x1**



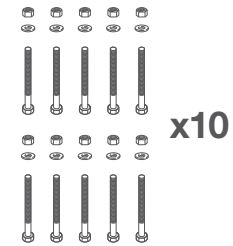
B1 mast arms **x4**



B3 safety flat bar **x2**



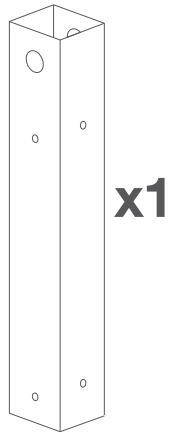
B4 screw 10x90 **x4**



B5 screw 10x50 **x10**

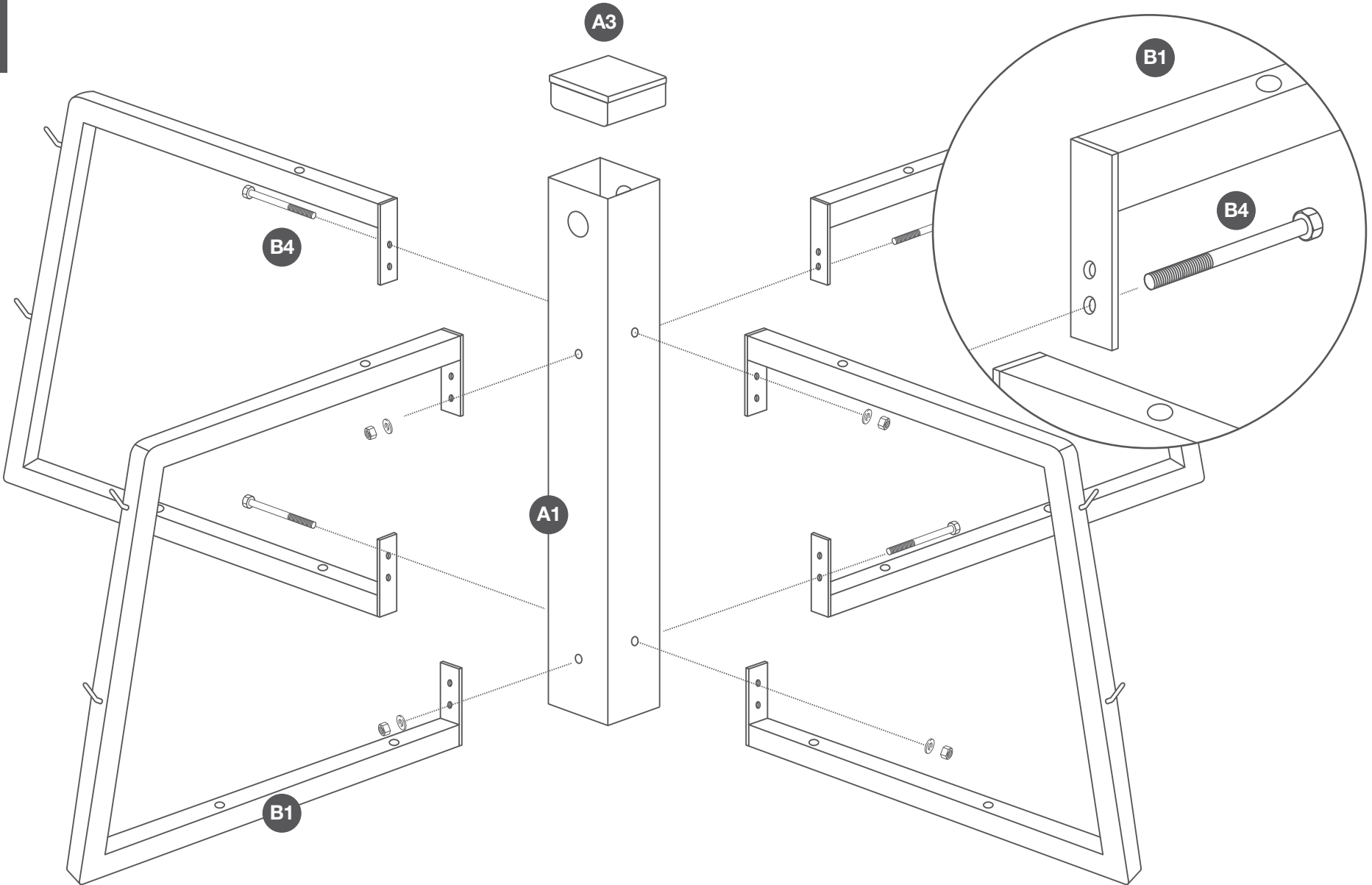


A3 mast cover **x1**

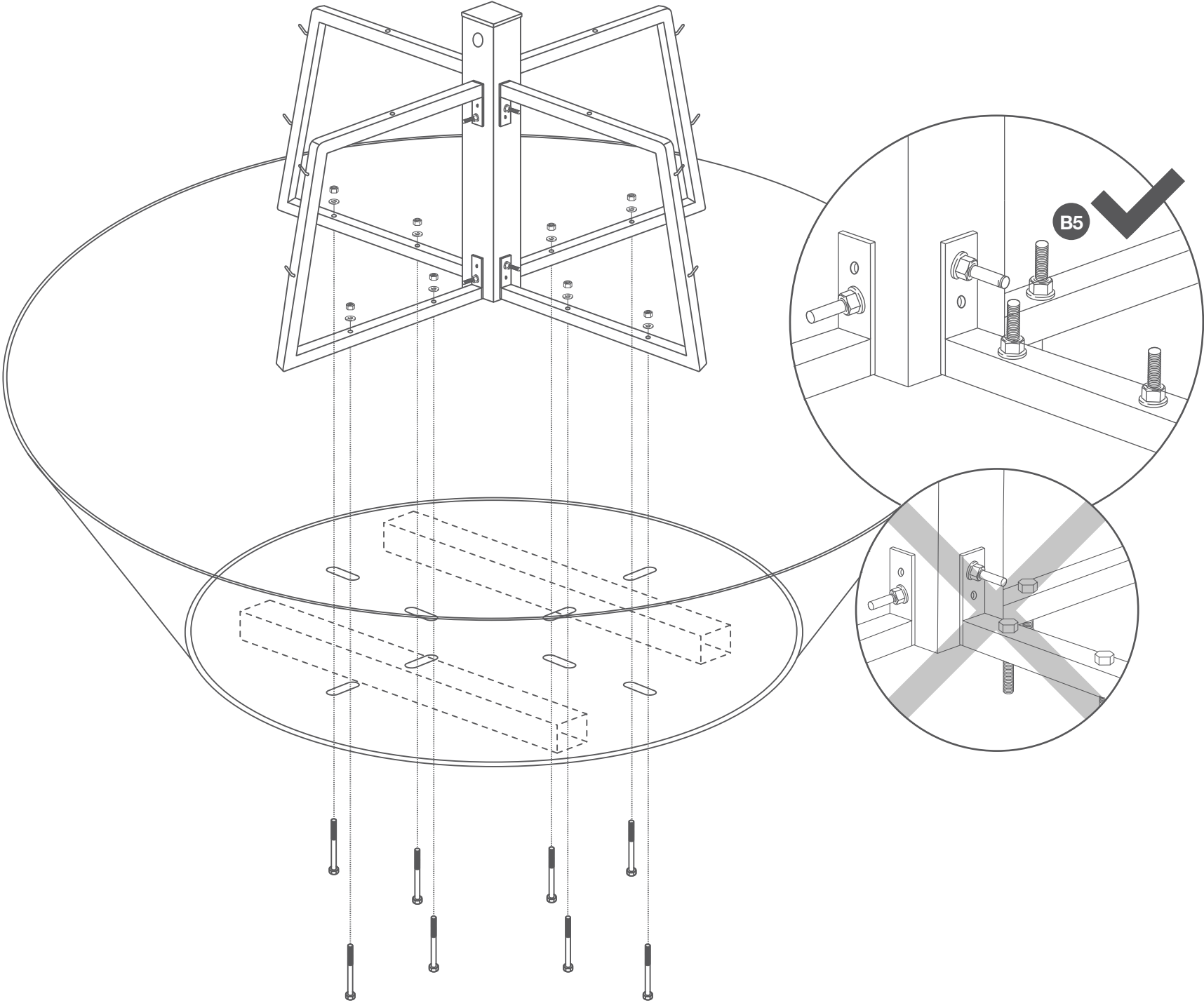


A1 central mast **x1**

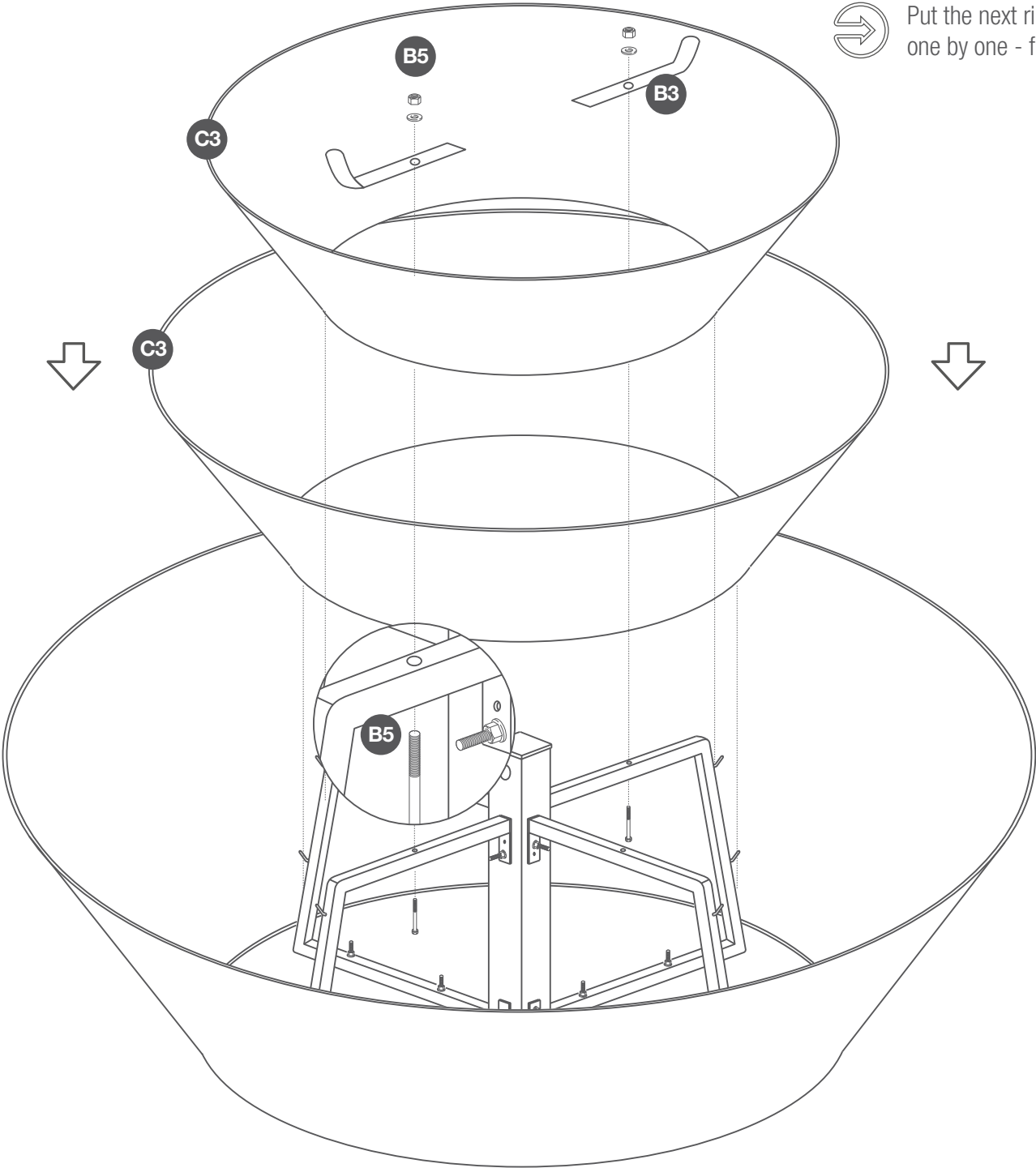
1



2



3



Put the next rings on the mast construction, one by one - from the biggest to the smallest

4

Ready!

